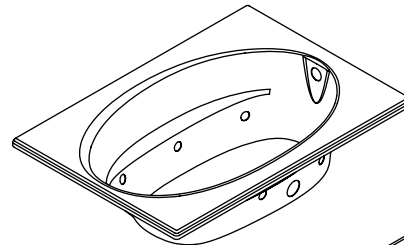


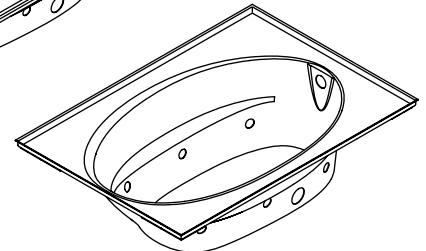
Features

- Acrylic
- Rectangular shape
- Drop-in, 4-side integral flange
- 1.25 hp pump with air switch and grounding-type plug-in cord
- 6 individually adjustable ProFlex® hydro-massage jets
- Molded lumbar supports and armrests

BATH WHIRLPOOL K-1112 ALSO K-1112-F



K-1112



K-1112-F

Codes/Standards Applicable

Specified model meets or exceeds the following:

- IAPMO/UPC
- Underwriter's Laboratories (UL)
- ANSI Z124.1
- ASME A112.19.7M

Colors/Finishes

- 0: White
- Other: Refer to Price Book for additional colors/finishes

Accessories:

- CP: Polished Chrome
- Other: Refer to Price Book for additional colors/finishes

Specified Model

Model	Description	Colors/Finishes	
K-1112	Drop-in rim style (shown)	<input type="checkbox"/> 0	<input type="checkbox"/> Other_____
K-1112-F	Drop-in, 4-side integral flange (shown)	<input type="checkbox"/> 0	<input type="checkbox"/> Other_____
Recommended Accessory			
K-11677	Drain OR	<input type="checkbox"/> CP	<input type="checkbox"/> Other_____
K-7166	Drain	<input type="checkbox"/> CP	<input type="checkbox"/> Other_____
Optional Accessories			
K-9696	Jet trim kit (metal finishes)	<input type="checkbox"/> CP	<input type="checkbox"/> Other_____

Product Specification

The rectangular bath whirlpool shall be 60" (152.4 cm) in length, 42" (106.7 cm) in width, and 21" (53.3 cm) in height. Bath whirlpool shall be drop-in or 4-side integral flange drop-in. Bath whirlpool shall be made of acrylic. Bath whirlpool shall have 6 individually adjustable Proflex hydro-massage jets and a 1.25 hp pump with air switch and grounding-type plug-in cord. Bath whirlpool shall have molded lumbar supports and armrests. Bath whirlpool shall be Kohler Model K-1112-____ or K-1112-____-____.

WINDWARD™

Technical Information

Fixture*:	basin area	top area	weight
Bathing well	43" (109.2 cm) x 24-5/8" (62.5 cm)	53-1/2" (135.9 cm) x 32-1/8" (81.6 cm)	110 lbs (50 kg)
	water depth	capacity	
To overflow	15" (38.1 cm)	57 gal (215.9 L)	

* Approximate measurements for comparison only.

Drop-in cut-out dimensions:
58-1/2" (148.6 cm) x 40-1/2" (102.9 cm)

Pump:	Hp	V	Hz	A
1-speed	1.25	120	60	7.5
Minimum access panel pump/control:				
20" (50.8 cm) W x 15" (38.1 cm) H			required	

Required Electrical Service

Dedicated circuit required, protected with a Class A Ground-Fault Circuit-Interrupter (GFCI):	
Pump/control	120 V, 15 A, 60 Hz
Locate the outlet behind the whirlpool and within 24" (61 cm) of the pump.	

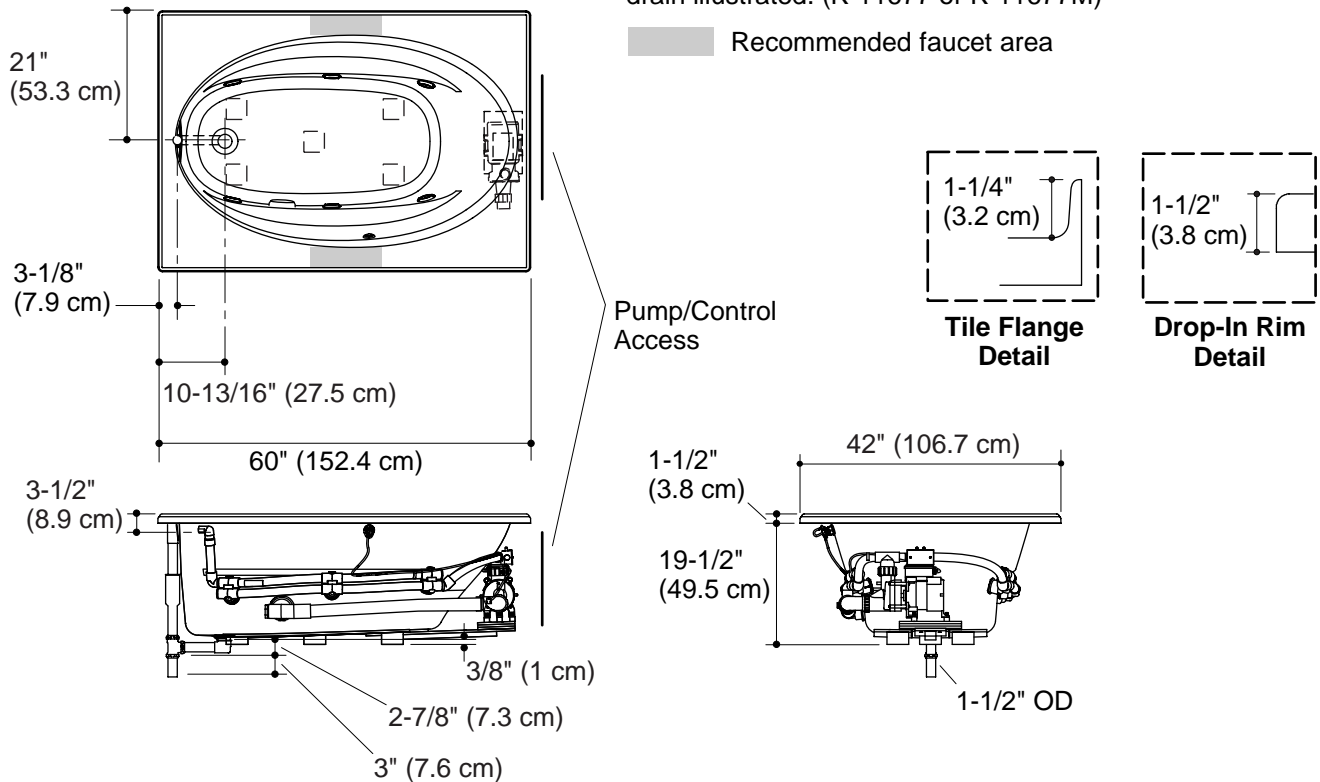
Installation Notes

Install this product according to the installation guide.

Floor support under the whirlpool must provide for a minimum of 80 lbs/square foot (390 kg/square meter) loading.

If installing a rim-mount faucet, make sure there is no interference with the drain overflow and circulating system before drilling any holes. Consult local and national codes for minimum air gap requirements if installing a spout on the faucet deck.

No change in measurements if connected with drain illustrated. (K-11677 or K-11677M)



Product Diagram