

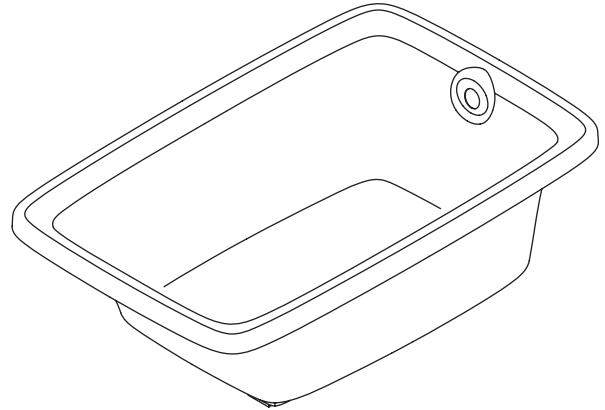
#### Features

- Acrylic
- Molded lumbar supports
- 66" (167.6 cm) x 42" (106.7 cm) x 22" (55.9 cm)
- 95 gallon (359.6 L) capacity

#### Codes/Standards Applicable

Specified model meets or exceeds the following:

- ANSI Z124.1
- IAPMO/UPC



#### Colors/Finishes

- 0: White
- Other: Refer to Price Book for additional colors/finishes

#### Specified Model

Model	Description	Colors/Finishes		
K-1156	Bath, drop-in	<input type="checkbox"/> 0 White	<input type="checkbox"/> Other _____	
Recommended Accessories				
K-7161-AF	Drain	<input type="checkbox"/> CP	<input type="checkbox"/> PB	<input type="checkbox"/> Other _____

#### Product Specification:

The bath shall be 66" (167.6 cm) in length, 42" (106.7 cm) in width, and 22" (55.9 cm) in height. Bath shall be made of acrylic. Bath shall have a capacity of 95 gallons (359.6 L). Bath shall have lumbar support. Bath shall be Kohler Model K-1156-\_\_\_\_\_.

# BANCROFT™ 5.5'

## Technical Information

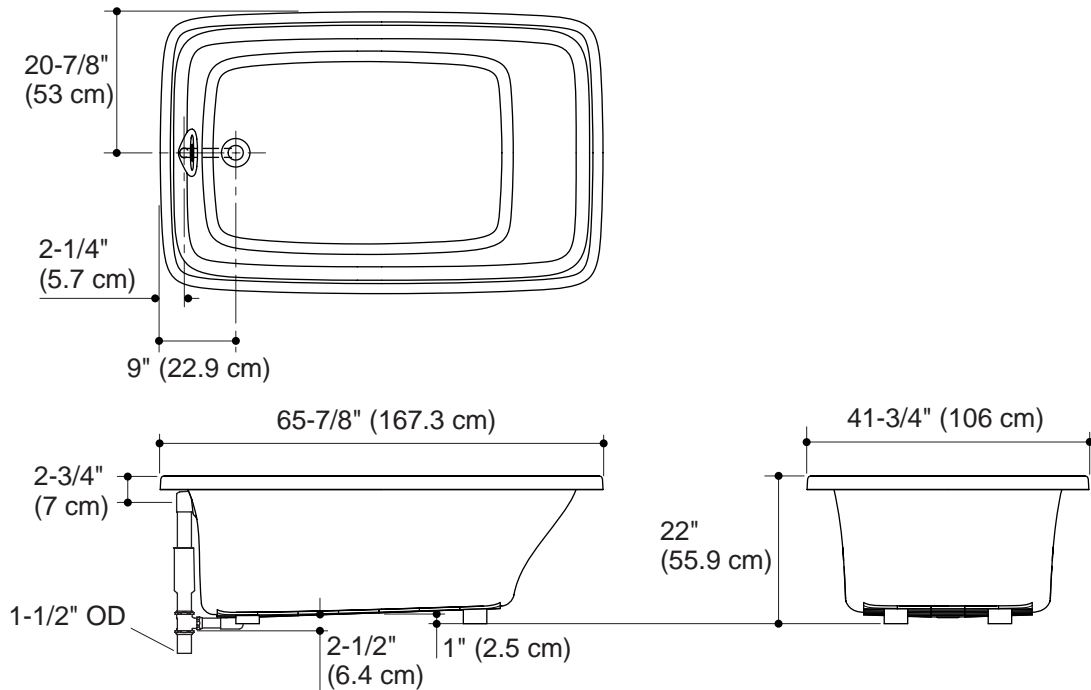
Fixture:*	basin area	top area	weight
Bathing well	46" (116.8 cm) x 30" (76.2 cm)	57" (144.8 cm) x 34" (86.4 cm)	80 lbs. (36.3 kg)
	water depth	capacity	
To overflow	16" (40.6 cm)	95 gal. (359.6 L)	
Required Accessory:			
Cutout template		1043292-7	
* Approximate measurements for comparison only.			

## Installation Notes

Install this product according to the installation guide.

Unless otherwise specified, floor support under bath must provide for a minimum of 80 lbs./square foot (390 Kg./square meter) loading.

This bath is designed for drop-in installation only. It is not suited for use in a three wall alcove with an overhead shower.



No change in measurements if connected with drain illustrated. (K-7161-AF or K-7161M-AF)

## Product Diagram