

Features

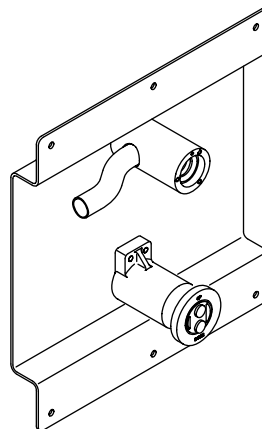
- Durable brass construction
- Wall-mounting for Touchless™ faucets
- 0.5 gallons (1.9 L) per minute flow rate
- Insight™ adaptive infrared technology
- Includes a 30-year hybrid energy cell

Codes/Standards Applicable

Specified model meets or exceeds the following:

- ASME A112.18.1/CSA B125.1
- Energy Policy Act of 1992

WALL-MOUNT VALVE K-11830 ALSO K-11831



Colors/Finishes

- NA: None applicable

Specified Model

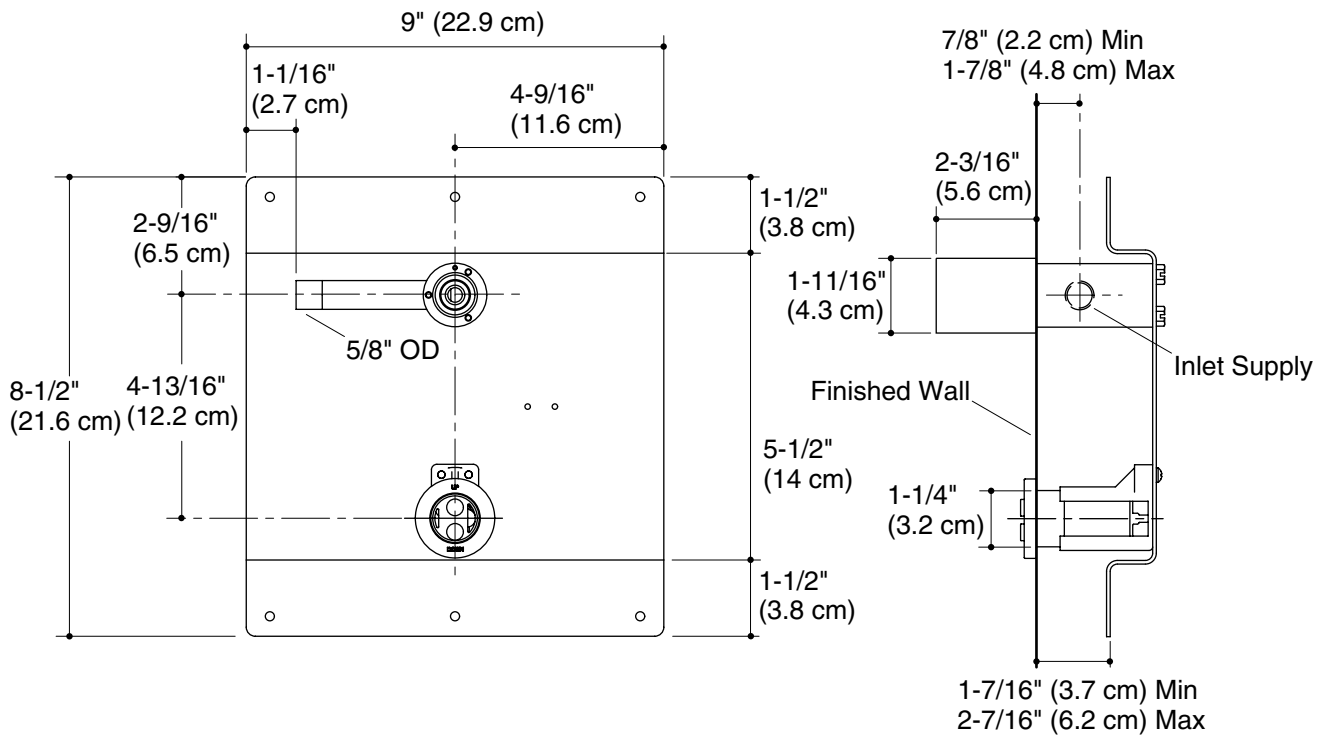
Model	Description	Colors/Finishes
K-11830	Wall-mount valve, round trim	<input type="checkbox"/> NA
K-11831	Wall-mount valve, square trim	<input type="checkbox"/> NA

Product Specification

The Touchless™ wall-mounting valve shall be made of durable brass construction. Valve shall have a 0.5 gallons (1.9 L) per minute flow rate. Valve shall feature Insight adaptive infrared technology. Valve shall include a 30-year hybrid energy cell. Wall-mount valve shall be Kohler Model K-11830-NA or K-11831-NA.

Installation Notes

Install this product according to the installation guide.



Product Diagram