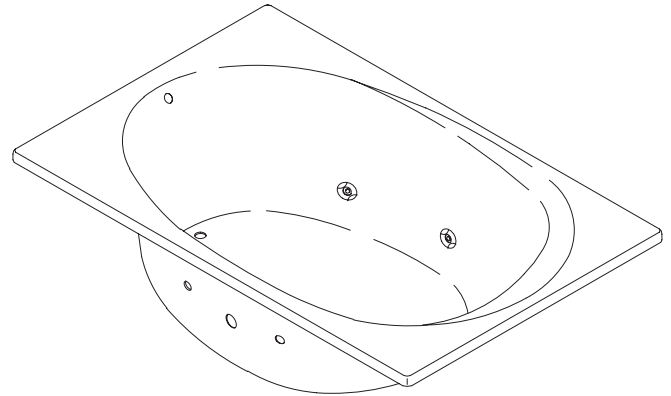


ACRYLIC CUSTOM BATH WHIRLPOOL

K-1221-CB/-CE

FEATURES

- 72" (182.9cm) x 48" (121.9cm) x 23" (58.4cm)
- Acrylic
- Drop-in
- 6 individually adjustable ProFlex hydro-massage jets
- 1-1/4 HP pump with air switch and cord with plug
- Molded lumbar supports and armrests
- UL listed
- Optional K-1223 separate apron
- Optional K-9696 whirlpool trim kit with various finishes
- Optional K-1639 timer kit



CODES/STANDARDS APPLICABLE

Specified model meets or exceeds the following:

- ASME/ANSI A112.19.7M
- ANSI Z124.1
- IAPMO/UPC
- Underwriters Laboratories (UL)
- State of Massachusetts

COLORS/FINISHES

- 0 White
- Other Refer to Fixtures Price Book for additional colors

Accessories:

- CP Polished Chrome
- PB Polished Brass
- Other Refer to Price Book for additional finishes
- NA None Applicable

SPECIFIED MODEL:

Model	Description	Colors/Finishes	
K-1221-CB	Whirlpool, drop-in, custom pump (shown)	<input type="checkbox"/> 0 White	<input type="checkbox"/> Other _____
K-1221-CE	Whirlpool, drop-in, custom pump (top view shown)	<input type="checkbox"/> 0 White	<input type="checkbox"/> Other _____

Recommended Accessories				
K-7161-AF	Drain	<input type="checkbox"/> CP	<input type="checkbox"/> PB	<input type="checkbox"/> Other _____

Optional Accessories				
K-1223	Separate apron with removable panel for front access	<input type="checkbox"/> 0 White	<input type="checkbox"/> Other _____	
K-9696	Jet trim kit (metal finishes)	<input type="checkbox"/> CP	<input type="checkbox"/> PB	<input type="checkbox"/> Other _____
K-1639	Timer Kit	<input type="checkbox"/> NA		

PRODUCT SPECIFICATION:

The bath whirlpool shall be 72" (182.9cm) in length, 48" (121.9cm) in width, and 23" (58.4cm) in height. Drop-in bath whirlpool shall be made of acrylic. Bath whirlpool shall have 6 individually adjustable ProFlex hydro-massage jets, 1-1/4 HP pump with air switch and cord with plug. Bath whirlpool shall be UL listed. Bath whirlpool shall have optional K-1223 separate apron. Bath whirlpool shall have optional K-9696 trim kit. Bath whirlpool shall have optional K-1639 timer kit. Bath whirlpool shall be Kohler Model K-1221-_____ -_____.

SEADREAM™

PRODUCT INFORMATION

Fixture*:	basin area	top area	weight
Bathing well	47" (119.4cm) x 37" (94cm)	67" (170.2cm) x 42" (106.7cm)	120 lbs. (54.4kg)
	water depth	capacity	
To overflow	16-7/8" (42.9cm)	122 gal. (461.8L)	

* Approximate measurements for comparison only.

Pump:	HP	V	Hz	A
1-speed	1-1/4	120	60	7.5

REQUIRED ELECTRICAL SERVICE

Dedicated circuit required, protected with Class A Ground-Fault Circuit-Interrupter (GFCI):

Pump/control	120 V, 15 A, 60 Hz
--------------	--------------------

Locate the outlet behind the whirlpool and within 24" (61cm) of the pump.

INSTALLATION NOTES

Install this product according to the installation guide.

Floor support under whirlpool must provide for a minimum of 80 lbs./square foot (390 Kg./square meter) loading.

The apron must be installed before the finish floor and wall materials are installed.

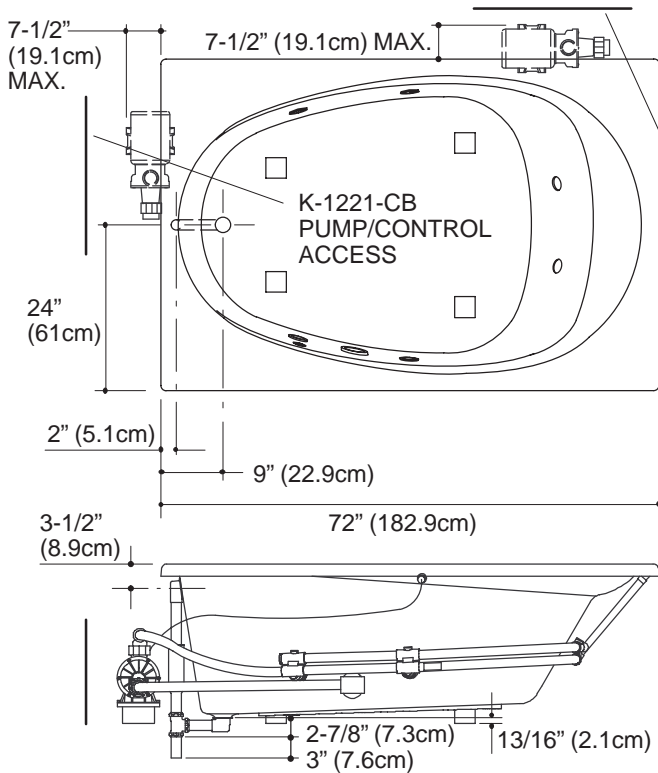
Pump must be relocated to custom position at the time of installation. Provide adequate clearance.

No change in measurements if connected with drain illustrated. (K-7161-AF or K-7161M-AF)

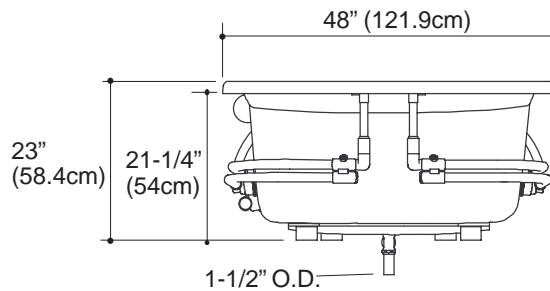
Drop-in cut-out	70-1/4" (178.4cm) x 46-1/4" (117.5cm)
-----------------	---------------------------------------

Minimum access panel:

Pump/control	20" (50.8cm) W x 15" (38.1cm) H	required
--------------	---------------------------------	----------



K-1221-CE PUMP/CONTROL ACCESS



PRODUCT DIAGRAM