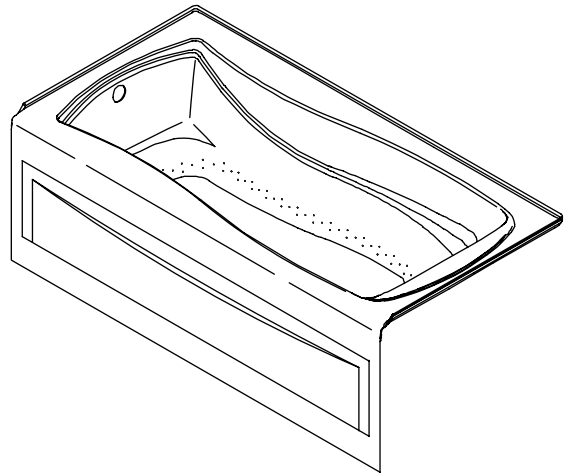


### Features

- Acrylic
- Integral apron with removable access panel
- Integral tile flange
- Left or right drain
- 120 BubbleMassage™ airjets
- Blower with electronic control
- Blower motor is supplied with a grounding-type plug-in cord
- Optional K-1491 removable bath pillow
- Optional K-1601 removable footstop
- UL listed
- 72" (182.9 cm) x 36" (91.4 cm) x 20" (50.8 cm)

### 6' BUBBLEMASSAGE™ BATH WITH INTEGRAL APRON K-1257-GLA ALSO K-1257-GRA



### Codes/Standards Applicable

Specified model meets or exceeds the following:

- ANSI Z124.1.2
- UL 1795
- ASTM E162
- ASTM E662
- UPC

### Colors/Finishes

- 0: White
- Other: Refer to Price Book for additional colors/finishes

### Accessories

- CP: Polished Chrome
- PB: Vibrant® Polished Brass
- NA: None applicable

### Specified Model

Model	Description	Colors/Finishes	
K-1257-GLA	Bubblemassage bath with integral apron – left drain	<input type="checkbox"/> 0	<input type="checkbox"/> Other_____
K-1257-GRA	Bubblemassage bath with integral apron – right drain	<input type="checkbox"/> 0	<input type="checkbox"/> Other_____

#### Recommended Accessories

K-7166-AF	Adjustable pop-up drain	<input type="checkbox"/> CP	<input type="checkbox"/> PB	<input type="checkbox"/> Other_____
-----------	-------------------------	-----------------------------	-----------------------------	-------------------------------------

#### Optional Accessories

K-1446	Remote blower installation kit			NA
K-1491	Removable pillow	<input type="checkbox"/> 0	<input type="checkbox"/> Other_____	
K-1601	Removable footstop	<input type="checkbox"/> 0	<input type="checkbox"/> Other_____	

### Product Specification

The acrylic bath shall be 72" (182.9 cm) in length, 36" (91.4 cm) in width, and 20" (50.8 cm) in height. Bath shall have an integral apron with removable access panel, and an integral tile flange. Bath shall have a blower with an electronic user control; blower motor shall have a grounding-type plug-in cord. Bath shall have 120 Bubblemassage airjets and a left or right drain. Bath shall have an optional K-1491 removable bath pillow, and an optional K-1601 removable footstop. Bath shall be UL listed. Bubblemassage bath shall be Kohler Model K-1257-\_\_\_\_-\_\_\_\_.

# MARIPOSA®

## Technical Information

Fixture*:				
Basin area:				
Bathing well	50" (127 cm) x 24" (61 cm)			
Top area	65" (165.1 cm) x 27" (68.6 cm)			
Weight	109 lbs (49.4 kg)			
To overflow:				
Water depth	14" (35.6 cm)			
Capacity	72 gal (272.5 L)			
* Approximate measurements for comparison only.				
Blower motor:	Heater	V	Hz	A
	300 W	120	60	5

## Required Electrical Service

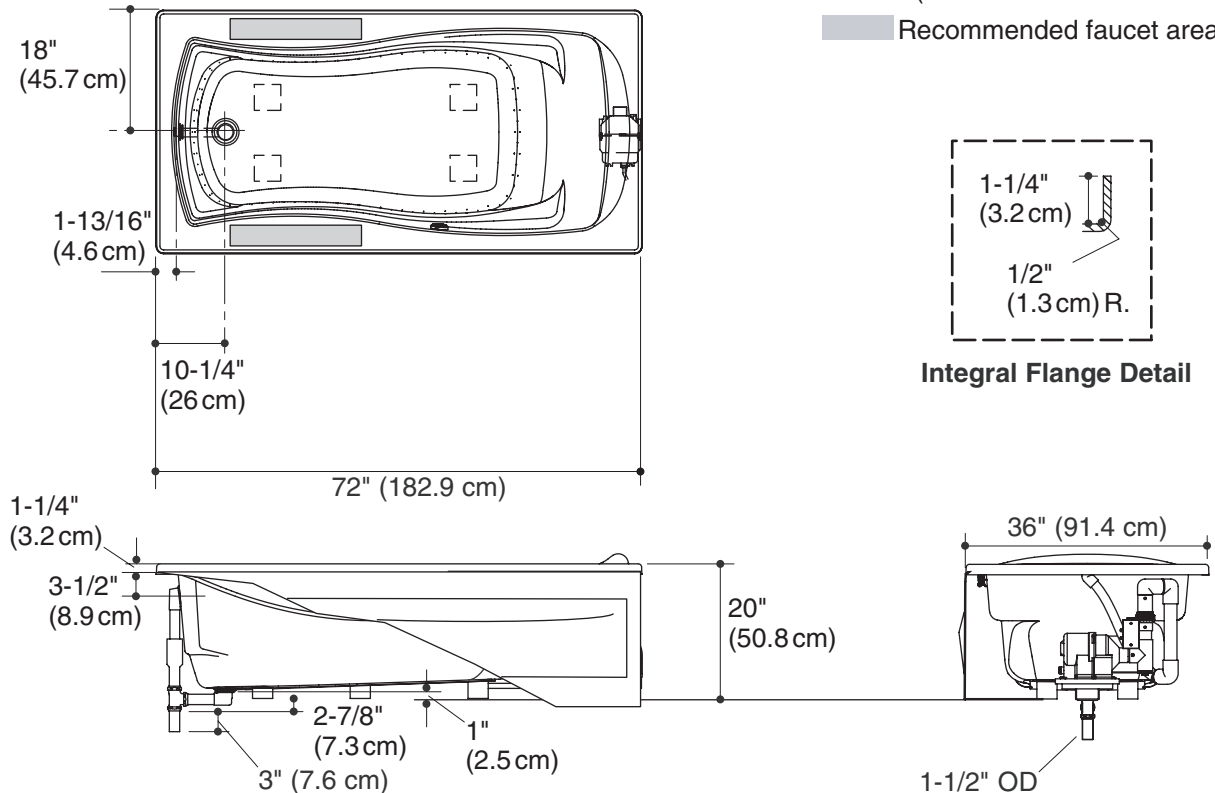
Dedicated circuit required, protected with Class A Ground-Fault Circuit-Interrupter (GFCI):	
Blower motor:	120 V, 15 A, 60 Hz
Blower motor is supplied with a 24" (61 cm) grounding-type plug-in cord.	

## Installation Notes

Install this product according to the installation guide.

Floor support under the bath must provide for a minimum of 41 lbs/square foot (198 kg/square meter) loading.

If installing a rim-mount faucet, make sure there is no interference with drain overflow and circulating system before drilling any holes. Consult local and national codes for minimum air gap requirements if installing a spout on the faucet deck.



**Product Diagram**