

# KOHLER® Roughing-In

K-1257-LA, K-1257-RA  
MARIPOSA®

## BATH WHIRLPOOL WITH INTEGRAL APRON

### Product Information

Applicable products:	
Bath whirlpool with integral apron – left drain	K-1257-LA
Bath whirlpool with integral apron – right drain	K-1257-RA

Fixture*:	
Bathing well:	
Basin area, bottom	50" (127 cm) x 24" (61 cm)
Basin area, top	65" (165.1 cm) x 27" (68.6 cm)
Weight	110 lbs (49.9 kg)
To overflow:	
Water depth	14" (35.6 cm)
Capacity	72 gal (272.5 L)
* Approximate measurements for comparison only.	

Pump:	V	Hz	A
1-speed	120	60	7.5

### Required Electrical Service

Dedicated circuit required, protected with Class A Ground-Fault Circuit-Interrupter (GFCI):	
Pump/control	120 VAC, 15 A, 60 Hz
Locate the outlet behind the whirlpool and within 24" (61 cm) of the pump.	

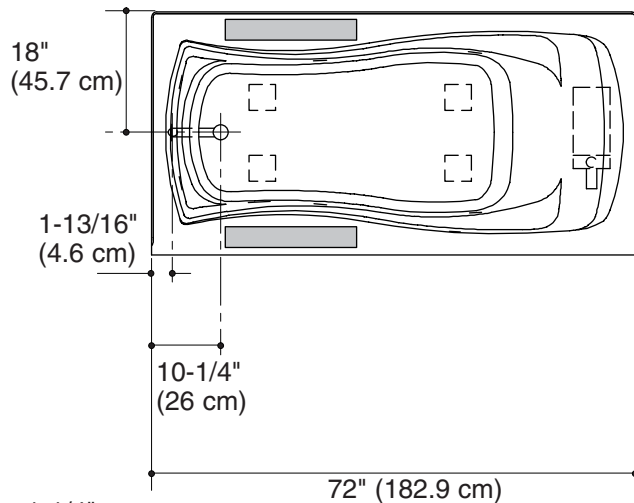
### Installation Notes

Install this product according to the installation guide.

Floor support under whirlpool must provide for a minimum of 41 lbs/square foot (200 kg/square meter) loading.

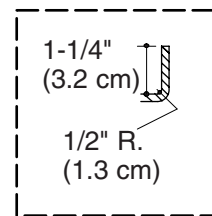
If installing a rim-mount faucet, make sure there is no interference with drain overflow and circulating system before drilling any holes. Consult local and national codes for minimum air gap requirements if installing a spout on the faucet deck.

Fixture conforms to ANSI Standard Z124.1.2. All dimensions are nominal.



No change in measurements if connected with drain illustrated. (K-11677 or K-11677M)

■ Recommended Faucet Area



Integral Flange Detail

