

SHOWER RECEPTOR K-1786, K-1787

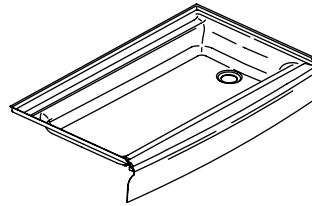
Features

- Acrylic
- Reinforced with fiberglass (FRP)
- For alcove installations
- Complements the Fountainhead™ Suite
- 60" (152.4 cm) x 35-1/2" (90.2 cm) x 8-1/4" (21 cm)
- 72" (182.9 cm) x 43-7/8" (111.4 cm) x 8-1/4" (21 cm)

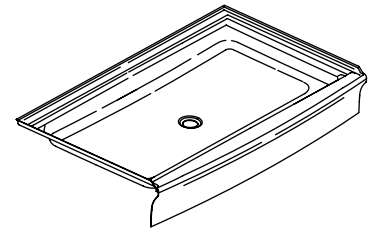
Codes/Standards Applicable

Specified model meets or exceeds the following:

- ANSI Z124.1.2
- IAPMO/UPC
- CSA International



K-1786-L
K-1786-R



K-1787

Colors/Finishes

- 0: White
- Other: Refer to Price Book for additional colors/finishes

Accessories:

- CP: Polished Chrome
- Other: Refer to Price Book for additional colors/finishes

Specified Model

Model	Description	Colors/Finishes	
K-1786-L	60" (152.4 cm) receptor with drain hole at left	<input type="checkbox"/> 0	<input type="checkbox"/> Other _____
K-1786-R	60" (152.4 cm) receptor with drain hole at right	<input type="checkbox"/> 0	<input type="checkbox"/> Other _____
K-1787	72" (182.9 cm) receptor with centered drain hole	<input type="checkbox"/> 0	<input type="checkbox"/> Other _____

Recommended Accessories

K-9132	Drain	<input type="checkbox"/> CP	<input type="checkbox"/> Other _____
--------	-------	-----------------------------	--------------------------------------

Optional Accessories

Refer to the Fixtures Price Book for shower door selections, glass options, and color information.

Product Specification

The acrylic shower receptor shall be either 60" (152.4 cm) in length, 35-1/2" (90.2 cm) in width, and 8-1/4" (21 cm) in height (K-1786) or 72" (182.9 cm) in length, 43-7/8" (111.4 cm) in width, and 8-1/4" (21 cm) in height (K-1787). Shower receptor shall be reinforced with fiberglass (FRP). Shower receptor shall be for alcove installations. Shower receptor shall complement the Fountainhead Suite. Shower receptor shall be Kohler Model K-_____-_____.

FOUNTAINHEAD™

Technical Information

Fixture:	
Weight	115 lbs (52.2 kg) for 72" (182.9 cm) models 80 lbs (36.3 kg) for 60" (152.4 cm) models
Configuration	one-piece acrylic receptor
Drain hole	3-3/8" (8.6 cm) D.

Installation Notes

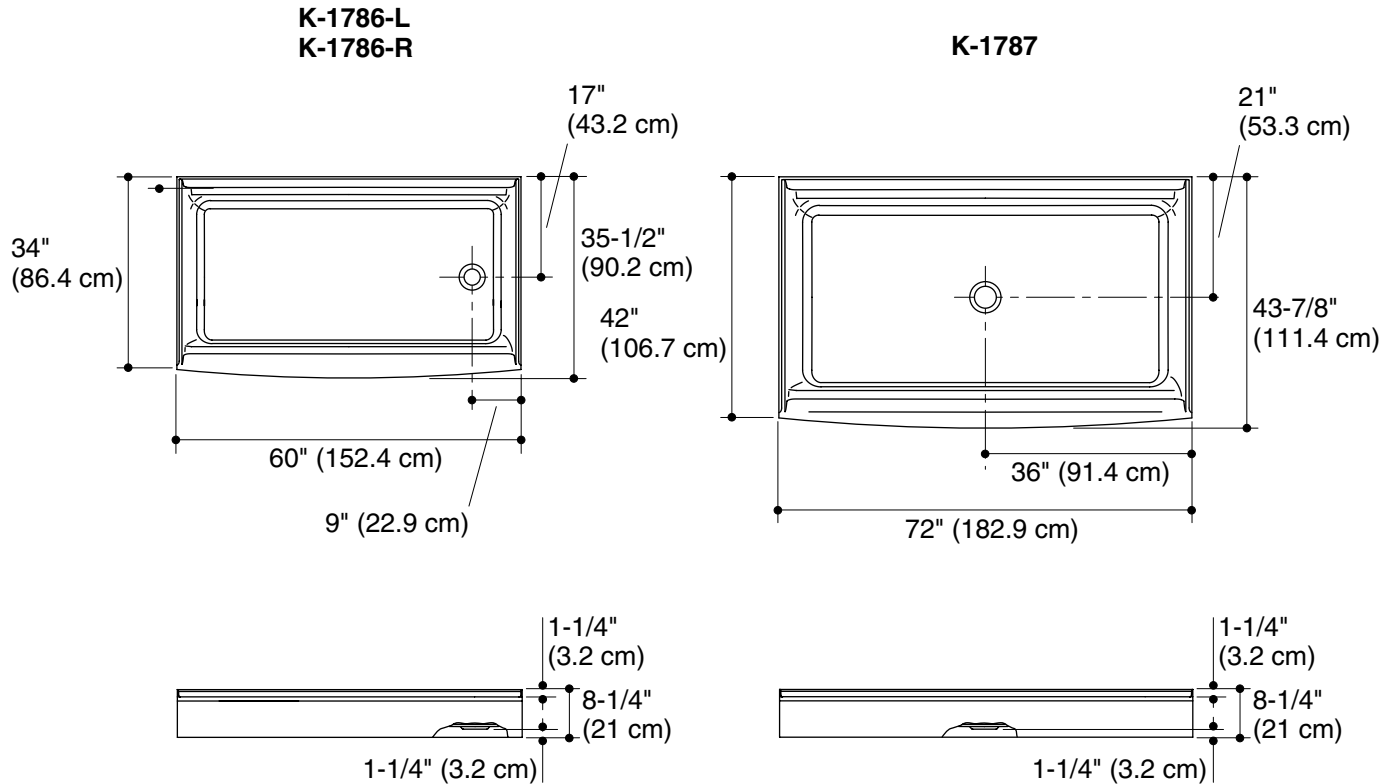
Install this product according to the installation guide.

Shimming may be required to level the fixture.

Shimming may be required between the stud frame and the fixture.

The stud opening tolerance is +1/4" (6 mm), -0" (0 mm).

When fire rated construction is specified, dimensions are to the inside of the fire-rated wall.



Product Diagram