

Features

- Brass construction
- 1/2" - 14 NPT connection

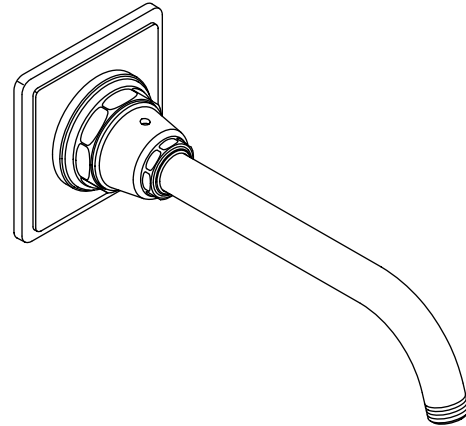
**SHOWER ARM WITH FLANGE
K-13136**

ADA

Codes/Standards Applicable

Specified model meets or exceeds the following:

- ASME A112.18.1



Colors/Finishes

- CP: Polished Chrome
- Other: Refer to Price Book for additional colors/finishes

Specified Model

Model	Description	Color/Finish	
K-13136	Shower arm with flange	<input type="checkbox"/> CP	<input type="checkbox"/> Other _____

Product Specification

Shower arm shall be of brass pipe construction. Product shall have 1/2"-14 NPT thread at both ends. Product shall have a wall-mount flange. Shower arm shall be Kohler Model K-13136-_____.

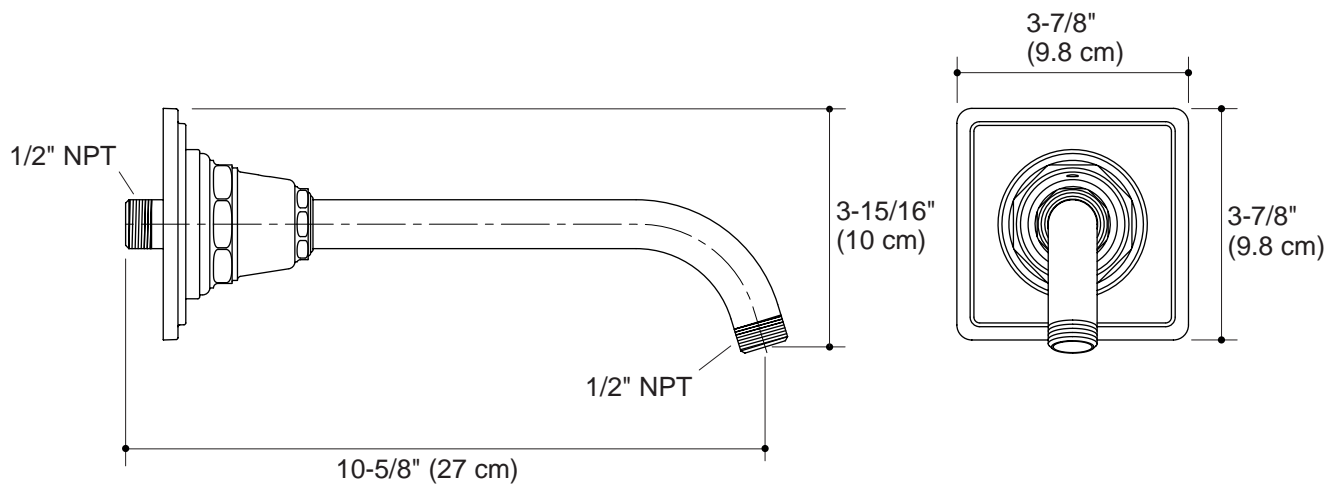
PINSTRIPETM

Technical Information

Mexico faucets and fittings have an M after the first sequence of numbers (such as K-12345 M).	
Applicable product:	
Shower arm with flange	K-13136

Installation Notes

Install this product according to the installation guide.



Product Diagram