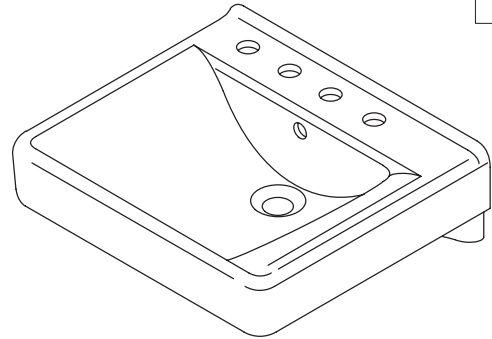


WALL-MOUNT LAVATORY

K-2053

ADA



FEATURES

- 20" (50.8cm) x 18" (45.7cm)
- Vitreous china
- Wall-mount
- 8" (20.3cm) centers
- With overflow
- ADA compliant
- Drilled for concealed arm carrier
- Optional soap dispenser hole on left (-L) or right (-R)

CODES/STANDARDS APPLICABLE

Specified model meets or exceeds the following:

- ASME/ANSI A112.19.2M
- ADA
- CABO/ANSI A117.1
- IAPMO/UPC
- Canadian Standards Association (CSA N)

COLORS/FINISHES

- 0 White
- Other Refer to Fixtures Price Book for additional colors

Accessories:

- CP Polished Chrome
- Other Refer to Faucets Price Book for additional finishes

SPECIFIED MODEL:

Model	Description	Colors/Finishes	
		<input type="checkbox"/> 0 White	<input type="checkbox"/> Other_____
K-2053	8" (20.3cm) centers lavatory less soap dispenser hole	<input type="checkbox"/> 0 White	<input type="checkbox"/> Other_____
K-2053-L	8" (20.3cm) centers lavatory with soap dispenser hole on left	<input type="checkbox"/> 0 White	<input type="checkbox"/> Other_____
K-2053-R	8" (20.3cm) centers lavatory with soap dispenser hole on right	<input type="checkbox"/> 0 White	<input type="checkbox"/> Other_____
K-2053-N	8" (20.3cm) centers lavatory less overflow	<input type="checkbox"/> 0 White	<input type="checkbox"/> Other_____
K-2053-NL	8" (20.3cm) centers lavatory with soap dispenser hole on left less overflow	<input type="checkbox"/> 0 White	<input type="checkbox"/> Other_____
K-2053-NR	8" (20.3cm) centers lavatory with soap dispenser hole on right less overflow	<input type="checkbox"/> 0 White	<input type="checkbox"/> Other_____
Recommended Accessories			
K-8998	Trap	<input type="checkbox"/> CP	<input type="checkbox"/> Other_____

PRODUCT SPECIFICATION:

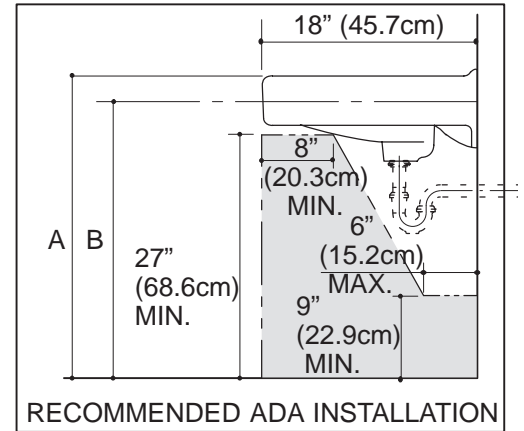
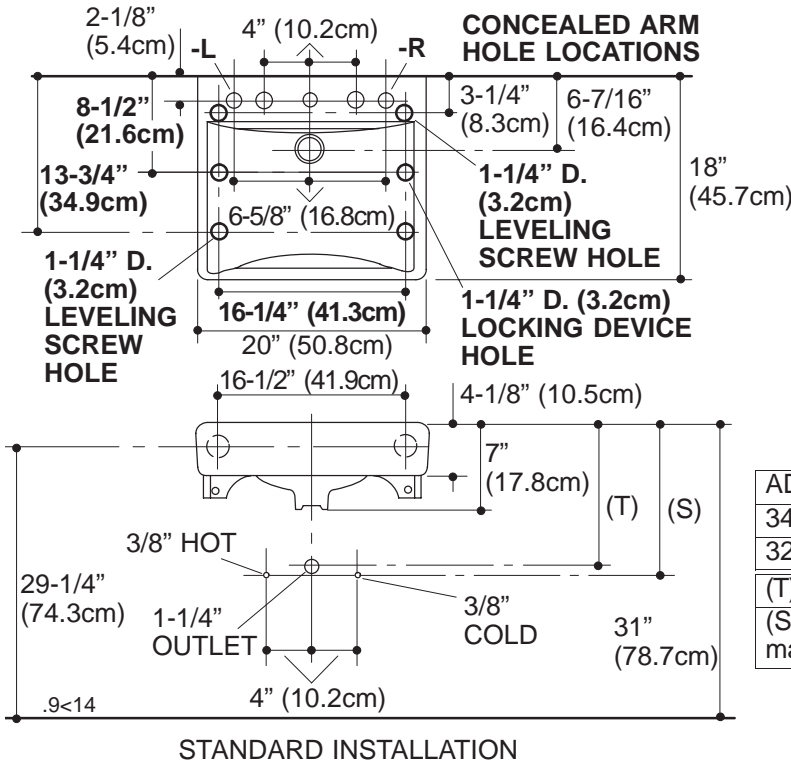
The wall-mount lavatory shall be 20" (50.8cm) in length, and 18" (45.7cm) in width. Lavatory shall be made of vitreous china. Lavatory shall have 8" (20.3cm) centers drilling. Lavatory shall have overflow. Lavatory shall be ADA compliant. Lavatory shall be drilled for concealed arm carrier. Lavatory shall have optional soap dispenser hole on left (-L) or right (-R). Lavatory shall be Kohler Model K-2053.

PRODUCT INFORMATION

ADA compliant.			
Fixture*:		basin area	water depth
Lavatory		18" (45.7cm) x 13" (33cm)	4-7/8" (12.4cm)
Drain hole	1-3/4" D. (4.4cm)		
* Approximate measurements for comparison only.			
Spout hole	Faucet hole	Soap dispenser hole	
1-3/8" D. (3.5cm)	1-3/8" D. (3.5cm)	1-1/4" D. (3.2cm)	

INSTALLATION NOTES

Install this product according to the installation guide.
 Concealed arm carrier required, **NOT** supplied by Kohler Co.
 Spout must be 8" (20.3cm) long (min.) for adequate clearance into lavatory.
 Fixture dimensions are nominal and conform to tolerances in ASME Standard A112.19.2M.



ADA rim height = A	ADA arm carrier height = B
34" (86.4cm) Max.	32-1/4" (81.9cm) Max.
32-1/2" (82.6cm) Min.	30-3/4" (78.1cm) Min.
(T) Pop-up drain 12-5/8" (32.1cm), grid drain 11-3/4" (29.8cm).	
(S) 14" (35.6cm) (Based on 17-3/4" (45.1cm) riser which may require cutting).	

PRODUCT DIAGRAM