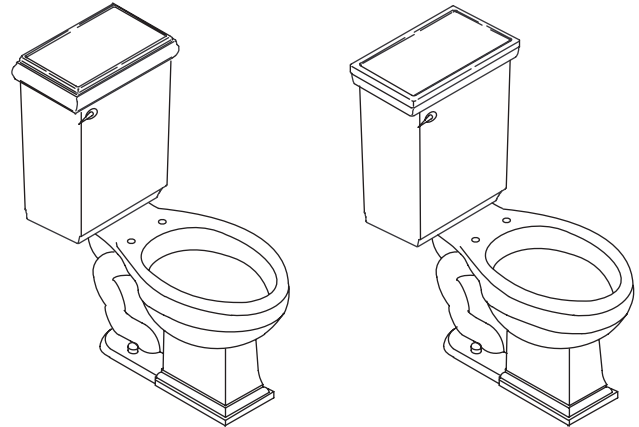


#### Features

- 12" (30.5 cm) rough-in
- Vitreous china
- Elongated bowl
- 1.6 gpf (6 lpf)
- Ingenium™ flushing system
- 2" (5.1 cm) glazed trapway
- Includes polished chrome trip lever
- Combination toilet
- Less seat and supply
- With Insuliner® insulated tank lining (-U)
- With classic design (K-3429), or stately design (K-3439)
- 10-1/2" (26.7 cm) x 9" (22.9 cm) water area



#### Codes/Standards Applicable

Specified model meets or exceeds the following:

- ASME A112.19.2
- ASME A112.19.6
- Energy Policy Act of 1992 (EPACT)
- IAPMO/UPC
- CSA B45

#### Colors/Finishes

- 0: White
- Other: Refer to Price Book for additional colors/finishes

#### Accessories:

- 0: White
- CP: Polished Chrome
- PB: Polished Brass
- Other: Refer to Price Book for additional colors/finishes

#### Specified Model

Model	Description	Colors/Finishes	
K-3429	Elongated bowl toilet, classic design	<input type="checkbox"/> 0 White	<input type="checkbox"/> Other_____
K-3429-U	Elongated bowl toilet with Insuliner®, classic design	<input type="checkbox"/> 0 White	<input type="checkbox"/> Other_____
K-3439	Elongated bowl toilet, stately design	<input type="checkbox"/> 0 White	<input type="checkbox"/> Other_____
K-3439-U	Elongated bowl toilet with Insuliner®, stately design	<input type="checkbox"/> 0 White	<input type="checkbox"/> Other_____

#### Recommended Accessories

K-4684	Glenbury™ seat with cover	<input type="checkbox"/> 0 White	<input type="checkbox"/> Other_____
K-4752	Triko™ seat with cover	<input type="checkbox"/> 0 White	<input type="checkbox"/> Other_____
K-7637	3/8" Angle supply with stop	<input type="checkbox"/> CP	<input type="checkbox"/> PB <input type="checkbox"/> Other_____

#### Optional Accessories

K-9439	Trip lever (non-CP)	<input type="checkbox"/> PB	<input type="checkbox"/> Other_____
--------	---------------------	-----------------------------	-------------------------------------

#### Product Specification:

The elongated combination toilet shall be 12" (30.5 cm) rough-in. Toilet shall be made of vitreous china. Toilet shall have 10-1/2" (26.7 cm) x 9" (22.9 cm) water area. Toilet shall be classic design (K-3429) or stately design (K-3439). Toilet shall be 1.6 gpf (6 lpf) with Ingenium™ flushing system. Toilet shall have 2" (5.1 cm) glazed trapway. Toilet shall include polished chrome trip lever. Toilet shall be less seat and supply. Toilet shall have Insuliner® insulated tank lining (-U). Toilet shall be Kohler Model K-\_\_\_\_\_ - \_\_\_\_\_ - \_\_\_\_\_.

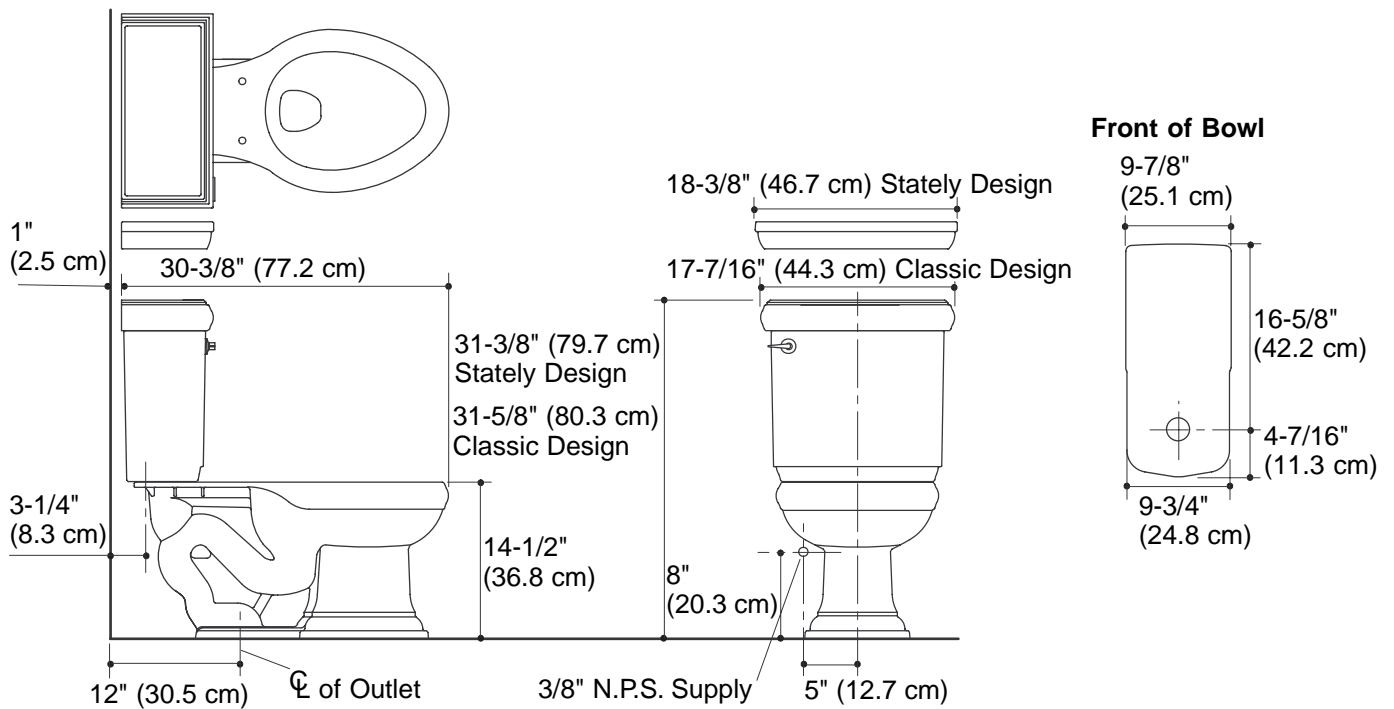
# MEMOIRS®

## Technical Information

Fixture:	
Configuration	2-piece, elongated
Water per flush	1.6 gallons (6 L)
Passageway	2" (5.1 cm)
Water area	10-1/2" (26.7 cm) x 9" (22.9 cm)
Water depth from rim	5-3/8" (13.7 cm)
Seat post hole centers	5-1/2" (14 cm)
Included Components:	
Bowl	K-4254
Tank with classic design	K-4454
Tank with stately design	K-4464
Tank cover with classic design	84406
Tank cover with stately design	84407
Trip lever	K-9439

## Installation Notes

Install this product according to the installation guide.



## Product Diagram