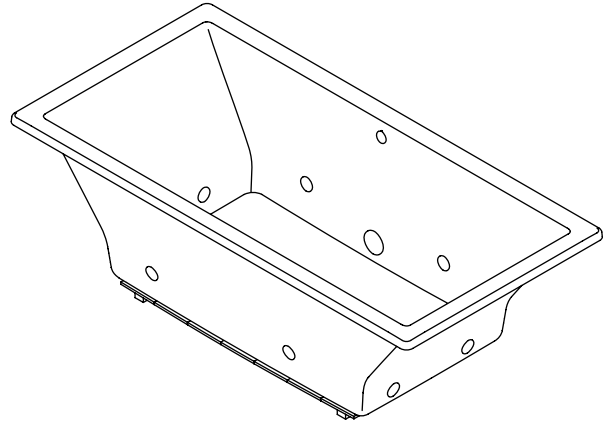


Features

- Acrylic
- Drop-in installation
- 8 Flexjet™ whirlpool jets
- Less all trim
- Variable speed pump with 1.5 kW heater and back-lit user keypad
- Center drain
- 72" (1829 mm) x 36" (914 mm) x 23" (584 mm)

BATH WHIRLPOOL WITH HEATER K-1835-H2



Codes/Standards Applicable

Specified model meets or exceeds the following:

- ASME A112.19.7
- ANSI Z124.1.2
- CSA B45.0
- CSA B45.5
- UL 1795
- ASTM E162
- ASTM E662

Colors/Finishes

- 0: White
- Other: Refer to Price Book for additional colors/finishes

Accessories

- CP: Polished Chrome
- PB: Vibrant® Polished Brass
- NA: None applicable

Specified Model

Model	Description	Colors/Finishes	
K-1835-H2	Bath whirlpool with heater	<input type="checkbox"/> 0	<input type="checkbox"/> Other_____

Required Accessories			
K-7271	Clearflo slotted overflow brass bath drain OR	<input type="checkbox"/> CP	<input type="checkbox"/> PB <input type="checkbox"/> Other_____
K-7272	Clearflo slotted overflow bath drain – PVC pipe	<input type="checkbox"/> CP	<input type="checkbox"/> PB <input type="checkbox"/> Other_____
K-9698	Jet trim kit	<input type="checkbox"/> 0	<input type="checkbox"/> Other_____

Optional Accessories			
K-593	Undermount kit		<input type="checkbox"/> NA
K-1491	Pillow	<input type="checkbox"/> 0	<input type="checkbox"/> Other_____
K-1601	Footstop	<input type="checkbox"/> 0	<input type="checkbox"/> Other_____
K-1703	Remote control		<input type="checkbox"/> NA
K-9497	2-1/2" (64 mm) metal finish keypad trim	<input type="checkbox"/> CP	<input type="checkbox"/> PB <input type="checkbox"/> Other_____

Product Specification

The acrylic bath whirlpool shall be 72" (1829 mm) in length, 36" (914 mm) in width, and 23" (584 mm) in height. Bath shall be for drop-in installation. Bath shall have 8 Flexjet whirlpool jets and center drain. Bath shall be less all trim. Bath shall feature variable speed pump with 1.5 kW heater and back-lit user keypad. Bath shall be Kohler Model K-1835-H2-_____.

UNDERSCORE®

Technical Information

Fixture*:				
Bathing well:				
Basin area, bottom	45-3/4" (1162 mm) x 25-15/16" (659 mm)			
Basin area, top	65-3/8" (1661 mm) x 29-5/16" (745 mm)			
Weight	132 lbs (59.9 kg)			
To overflow:				
Water depth	19-7/16" (494 mm)			
Capacity	112.9 gal (427 L)			
* Approximate measurements for comparison only.				
Drop-in cut-out	71-1/2" (1816 mm) x 35-1/2" (902 mm)			
Pump	kW	V	Hz	A
Variable-speed	1.5	240	50/60	11

Required Electrical Service

Dedicated circuit required, protected with Class A Ground-Fault Circuit-Interrupter (GFCI) or Residual Current Device (RCD):

Pump/control: 220-240 V, 20 A, 50/60 Hz

Installation Notes

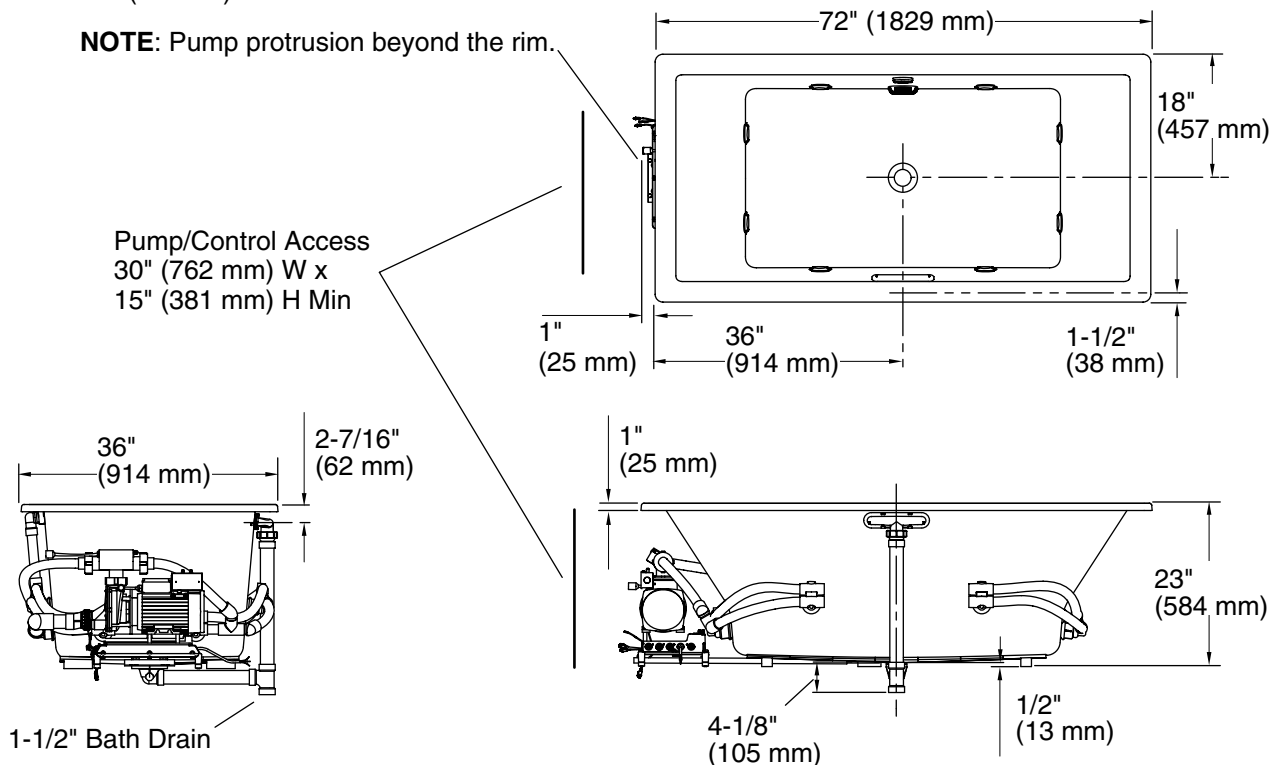
Install this product according to the installation guide.

Floor support under bath must provide for a minimum of 61 lbs/square foot (298 kg/square meter) loading.

Hot water supply should be 70% of capacity or greater. Installations will vary.

No change in measurement if connected with drain illustrated. (K-7272)

NOTE: Pump protrusion beyond the rim.



Product Diagram