

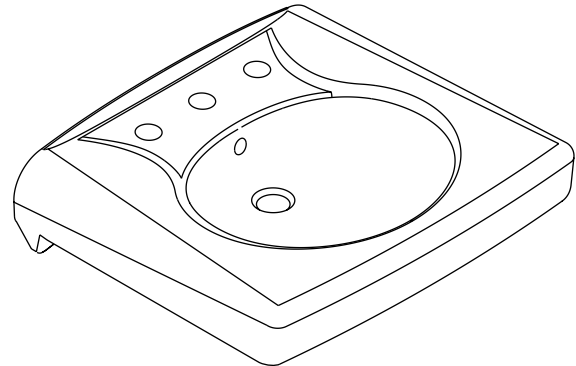
WALL-MOUNT LAVATORY K-1997

ADA

TAS

Features

- Vitreous china
- Wall-mount
- With hanger
- With overflow
- ADA compliant
- TAS compliant
- Drilled for concealed arm carrier
- 8" (20.3 cm) centers (-8), 4" (10.2 cm) centers (-4), or single-hole (-1)
- Optional soap dispenser hole on left (-L) or right (-R) (single-hole models only)
- 21-15/16" (55.7 cm) x 19-3/4" (50.2 cm)



Codes/Standards Applicable

Specified model meets or exceeds the following:

- ADA
- TAS
- ICC/ANSI A117.1
- ASME A112.19.2/CSA B45.1
- OBC
- CSA B651

Colors/Finishes

- 0: White
- Other

Accessories

- CP: Polished Chrome
- Other

Specified Model

Model	Description	Colors/Finishes	
K-1997-1	Wall-mount lavatory – single -hole, less soap dispenser hole	<input type="checkbox"/> 0	<input type="checkbox"/> Other _____
K-1997-1L	Wall-mount lavatory – single-hole, soap dispenser hole on left	<input type="checkbox"/> 0	<input type="checkbox"/> Other _____
K-1997-1R	Wall-mount lavatory – single-hole, soap dispenser hole on right	<input type="checkbox"/> 0	<input type="checkbox"/> Other _____
K-1997-4	Wall-mount lavatory – 4" (10.2 cm) centers, less soap dispenser hole	<input type="checkbox"/> 0	<input type="checkbox"/> Other _____
K-1997-8	Wall-mount lavatory – 8" (20.3 cm) centers, less soap dispenser hole (shown)	<input type="checkbox"/> 0	<input type="checkbox"/> Other _____

Additional lavatories are available without an overflow. Please refer to the Kohler Price Book.

Optional Accessories			
K-8998	P-trap	<input type="checkbox"/> CP	<input type="checkbox"/> Other _____
K-1998	Shroud	<input type="checkbox"/> CP	<input type="checkbox"/> Other _____

Product Specification

The wall-mount lavatory shall be made of vitreous china. Product shall be 21-15/16" (55.7 cm) in length and 19-3/4" (50.2 cm) in width. Product shall be available with 8" (20.3 cm) centers (-8), 4" (10.2 cm) centers (-4), or single-hole (-1). Product shall feature an overflow and hanger. Product shall be ADA compliant and TAS compliant. Product shall be drilled for a concealed arm carrier. Product shall have an optional soap dispenser hole on left (-L) or right (-R) (single-hole models only). Lavatory shall be Kohler Model K-1997-____-____.

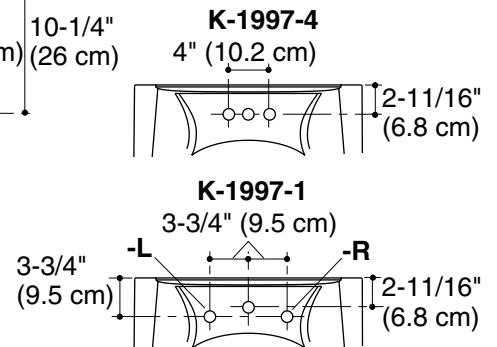
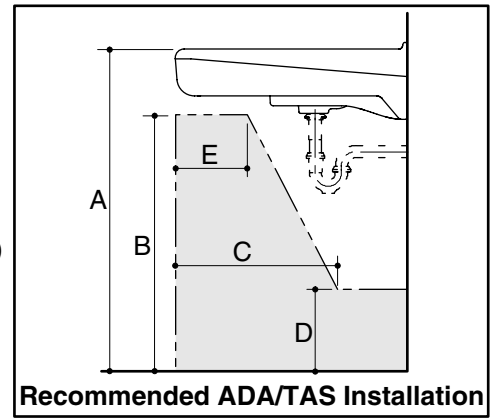
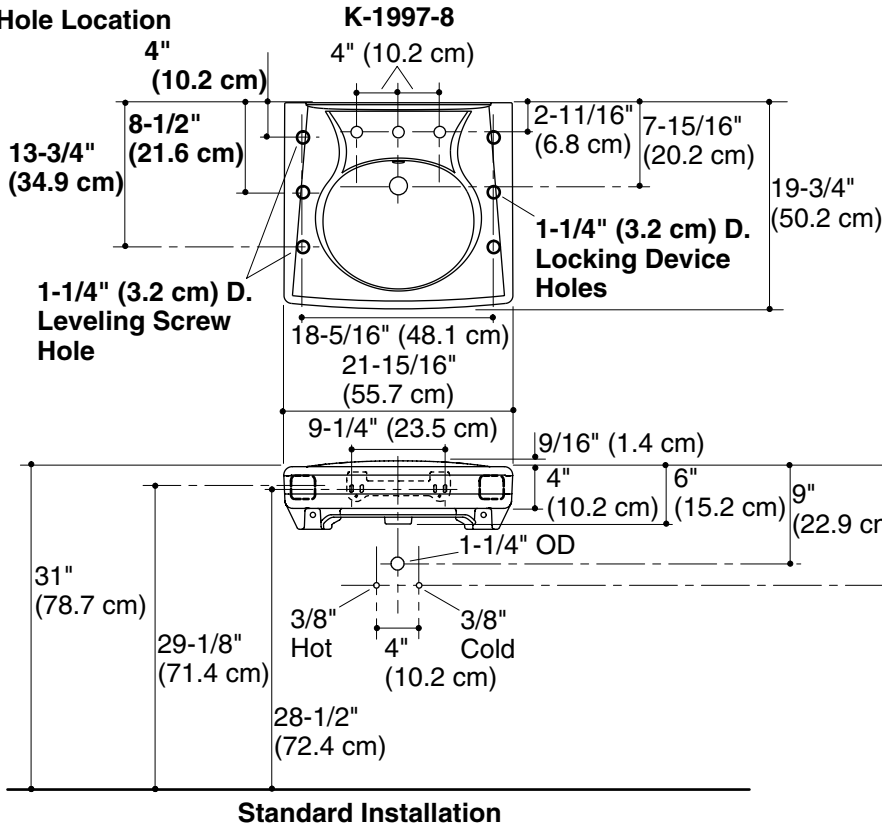
BRENHAM™

Technical Information

Fixture:*	
Basin area	14-3/8" (40.6 cm) x 12-5/16" (36.5 cm)
Water depth	3-1/4" (8.3 cm)
Hole diameter	
Drain	1-3/4" (4.4 cm)
Spout	1-3/8" (3.5 cm)
Handle	1-3/8" (3.5 cm)
Soap dispenser	1-1/4" (3.2 cm)
* Approximate measurements for comparison only.	

Accessibility rough-in requirements:				
	ADA and TAS	Children's Environment		
		ADA	TAS Ages K-5 yrs	TAS Ages 6-9 yrs
A	34" (86.4 cm)	31" (78.7 cm)	30" (76.2 cm)	32" (81.3 cm)
B	27" (68.6 cm)	24" (61 cm)	26" (66 cm)	28" (71.1 cm)
C	11" (27.9 cm)	11" (27.9 cm)	11" (27.9 cm)	11" (27.9 cm)
D	9" (22.9 cm)	9" (22.9 cm)	9" (22.9 cm)	9" (22.9 cm)
E	8" (20.3 cm)	8" (20.3 cm)	8" (20.3 cm)	8" (20.3 cm)

Concealed Arm Hole Location



Product Diagram