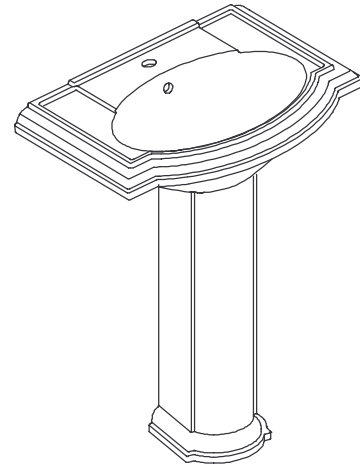


#### FEATURES

- 24-1/8" (61.3cm) x 19-3/4" (50.2cm) x 33-1/2" (85.1cm)
- Vitreous China
- Pedestal lavatory
- 8" (20.3cm) centers (-8), 4" (10.2cm) centers (-4), or single-hole (-1)
- With overflow



#### CODES/STANDARDS APPLICABLE

Specified model meets or exceeds the following:

- ASME/ANSI A112.19.2M

#### COLORS/FINISHES

- 0 White
- Other Refer to Fixtures Price Book for additional colors

#### Accessories:

- CP Polished Chrome
- Other Refer to Faucets Price Book for additional finishes

#### SPECIFIED MODEL:

Model	Description	Colors/Finishes	
K-2286-8	8" (20.3cm) centers pedestal lavatory	<input type="checkbox"/> 0 White	<input type="checkbox"/> Other _____
K-2286-4	4" (10.2cm) centers pedestal lavatory	<input type="checkbox"/> 0 White	<input type="checkbox"/> Other _____
K-2286-1	Single-hole pedestal lavatory	<input type="checkbox"/> 0 White	<input type="checkbox"/> Other _____

Recommended Accessories			
K-7605-P	Lavatory supplies 3/8" (pair)	<input type="checkbox"/> CP	<input type="checkbox"/> Other _____
K-8998	Trap	<input type="checkbox"/> CP	<input type="checkbox"/> Other _____

#### PRODUCT SPECIFICATION:

The pedestal lavatory shall be 24-1/8" (61.3cm) in length, 19-3/4" (50.2cm) in width, and 33-1/2" (85.1cm) in height. Pedestal lavatory shall be made of vitreous china. Pedestal lavatory shall have 8" (20.3cm) centers (-8), 4" (10.2cm) centers (-4), or single-hole (-1) drilling. Pedestal lavatory shall have overflow. Pedestal lavatory shall be Kohler Model K-2286-\_\_\_\_\_-\_\_\_\_\_.

