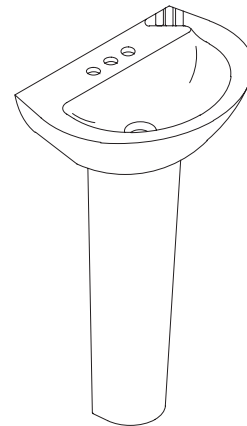


PEDESTAL LAVATORY

K-2175

FEATURES

- 19-3/4" (50.2cm) x 14" (35.6cm) x 32-7/8" (83.5cm)
- Vitreous china
- Pedestal lavatory
- 4" (10.2cm) centers (K-2175-4) or single-hole (K-2175-1) drilling



CODES/STANDARDS APPLICABLE

Specified model meets or exceeds the following:

- ASME/ANSI A112.19.2M

COLORS/FINISHES

- 0 White
- Other Refer to Fixtures Price Book for additional colors

Accessories:

- CP Polished Chrome
- Other Refer to Faucets Price Book for additional finishes

SPECIFIED MODEL:

Model	Description	Colors/Finishes	
K-2175-4	4" (10.2cm) centers lavatory	<input type="checkbox"/> 0 White	<input type="checkbox"/> Other_____
K-2175-1	Single-hole lavatory	<input type="checkbox"/> 0 White	<input type="checkbox"/> Other_____
Recommended Accessories			
K-7605-P	Lavatory supplies 3/8" (pair)	<input type="checkbox"/> CP	<input type="checkbox"/> Other_____
K-8998	Trap	<input type="checkbox"/> CP	<input type="checkbox"/> Other_____

PRODUCT SPECIFICATION:

The pedestal lavatory shall be 19-3/4" (50.2cm) in length, 14" (35.6cm) in width, and 32-7/8" (83.5cm) in height. Pedestal lavatory shall be made of vitreous china. Pedestal lavatory shall have 4" (10.2cm) centers (K-2175-4), or single-hole (K-2175-1) drilling. Pedestal lavatory shall be Kohler Model K-2175-_____ - _____.

PRODUCT INFORMATION

Fixture*:		basin area	water depth
Lavatory		16" (40.6cm) x 9" (22.9cm)	3-1/2" (8.9cm)
Drain hole	1-3/4" D. (4.4cm)		

* Approximate measurements for comparison only.

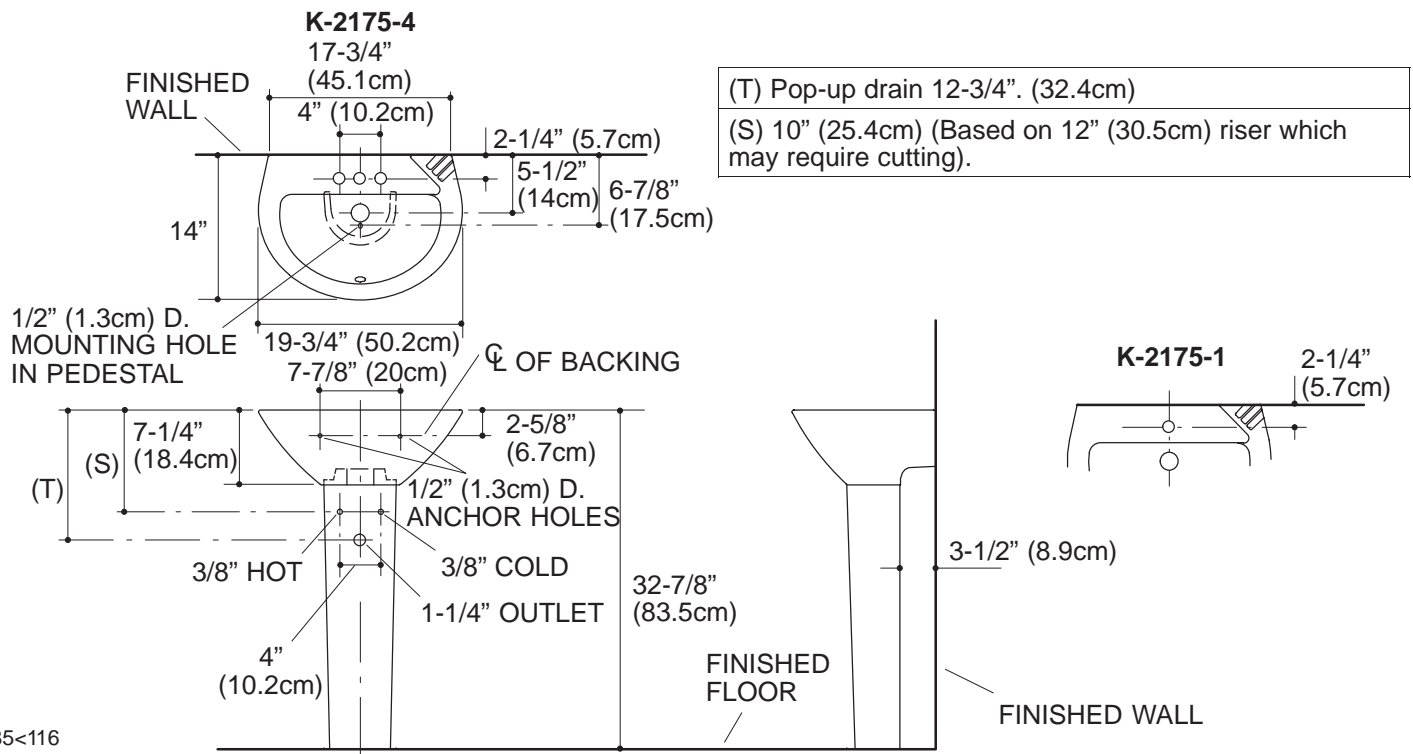
Holes	K-2175-4	K-2175-1	
Spout	1-1/4" D. (3.2cm)	1-3/8" D. (3.5cm)	
Faucet	1-1/4" D. (3.2cm)		

Included Components:	
Lavatory basin, 4" (10.2cm) centers	K-2176-4
Lavatory basin, single-hole	K-2176-1
Pedestal	K-2177
Pedestal accessory pack	52204
Rubber pads	63069

INSTALLATION NOTES

Install this product according to the installation guide.

Fixture dimensions are nominal and conform to tolerances in ASME Standard A112.19.2M.



.85<116

PRODUCT DIAGRAM