

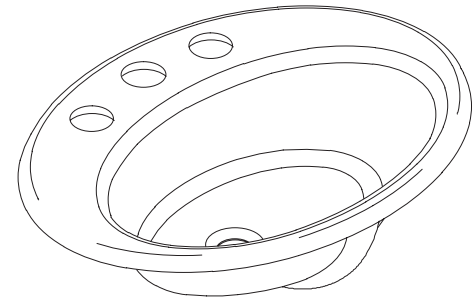
### UNDERCOUNTER LAVATORY

# K-2907-U

ADA

#### FEATURES

- 18-1/4" (46.4cm) x 11" (28cm)
- Cast iron
- Undercounter
- 4" (10.2cm) centers (K-2907-4U) or 8" (20.3cm) centers (K-2907-8U)
- ADA compliant
- Oversized faucet holes to accommodate single-hole centermount or centerset faucet (K-2907-4U)
- Oversized faucet holes to accommodate single-hole centermount or widespread faucet (K-2907-8U)



#### CODES/STANDARDS APPLICABLE

Specified model meets or exceeds the following:

- ADA
- ASME/ANSI A112.19.1M
- CABO/ANSI A117.1
- IAPMO/UPC
- Canadian Standards Association (CSA)
- State of Massachusetts

#### COLORS/FINISHES

- 0 White
- Other Refer to Fixtures Price Book for additional colors

#### Accessories:

- CP Polished Chrome
- Other Refer to Faucets Price Book for additional finishes

#### SPECIFIED MODEL:

Model	Description	Colors/Finishes	
K-2907-8U	8" (20.3cm) centers lavatory	<input type="checkbox"/> 0 White	<input type="checkbox"/> Other _____
K-2907-4U	4" (10.2cm) centers lavatory	<input type="checkbox"/> 0 White	<input type="checkbox"/> Other _____

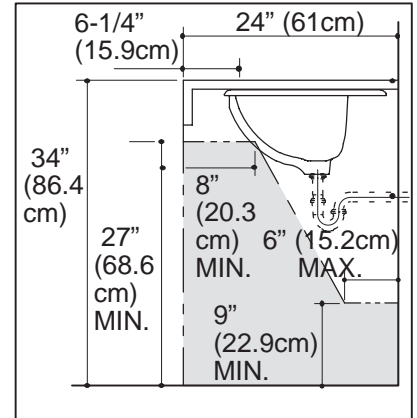
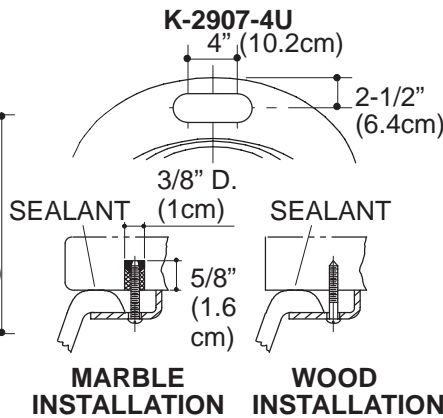
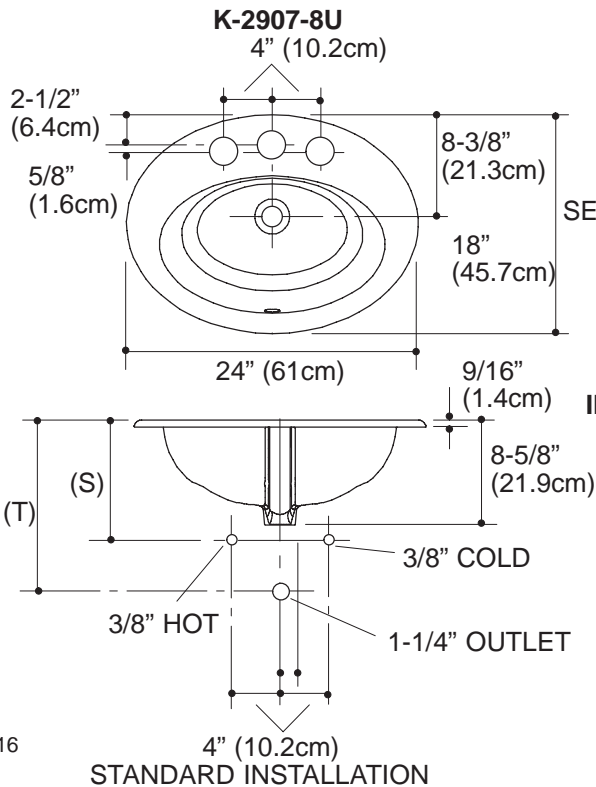
Recommended Accessories			
K-8998	Trap	<input type="checkbox"/> CP	<input type="checkbox"/> Other _____

#### PRODUCT SPECIFICATION:

The undercounter lavatory shall be 18-1/4" (46.4cm) in length, and 11" (28cm) in width. Lavatory shall be made of cast iron. Lavatory shall have 4" (10.2cm) centers (K-2907-4U) or 8" (20.3cm) centers (K-2907-8U). Lavatory shall be ADA compliant. Lavatory shall have oversized faucet holes to accommodate single-hole centermount, centerset or widespread faucet. Lavatory shall be Kohler Model K-2907-\_\_\_\_\_ - \_\_\_\_\_.

## PRODUCT INFORMATION

ADA compliant.			
Fixture*:		basin area	water depth
Lavatory		18-1/4" (46.4cm) x 11" (28cm)	4-3/4" (12.1cm)
Outlet	1-11/16" D. (4.3cm)		
* Approximate measurements for comparison only.			
Included Components:			
Basin clamp assembly		52047	
Overflow ferrule		84896	
Cutout template		114635-7	



RECOMMENDED ADA INSTALLATION

(T) Pop-up drain 14-1/4" (36.2cm), grid drain 13-3/8" (34cm)		
Supply (Based on 12" (30.5cm) riser which may require cutting).	K-2907-4U	K-2907-8U
(S)	10" (25.4cm)	14" (35.6cm)
Faucet holes in fixture are oversized at 2-3/8" D. (6cm). Drill fitting holes in counter according to fitting rough-in.		

116

## PRODUCT DIAGRAM