

### COUNTERTOP LAVATORY K-2952

ADA

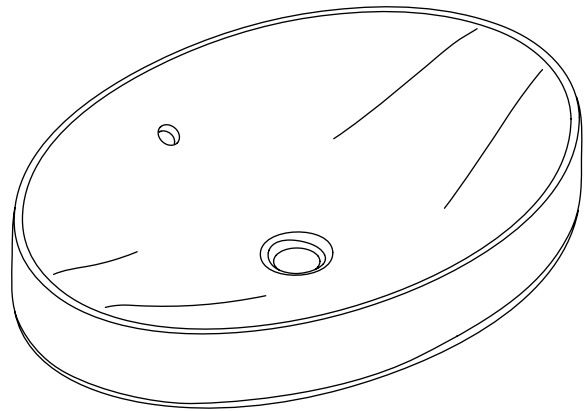
#### Features

- Fireclay
- With or without overflow
- Countertop installation or to K-2392 vanity
- 25-1/16" (63.7 cm) x 18-1/16" (45.9 cm)

#### Codes/Standards Applicable

Specified model meets or exceeds the following:

- ADA
- ASME A112.19.2/CSA B45.1
- ICC/ANSI A117.1



#### Colors/Finishes

- 0: White
- Other: Refer to Price Book for additional colors/finishes

#### Accessories

- CP: Polished Chrome
- Other: Refer to Price Book for additional colors/finishes

#### Specified Model

Model	Description	Colors/Finishes	
K-2952	Countertop lavatory with overflow (shown)	<input type="checkbox"/> 0	<input type="checkbox"/> Other _____
K-2952-N	Countertop lavatory without overflow	<input type="checkbox"/> 0	<input type="checkbox"/> Other _____

Included Accessories			
K-4062	Overflow cap for K-2952	<input type="checkbox"/> CP	<input type="checkbox"/> Other _____

Recommended Accessories			
K-7107	Decorative grid drain	<input type="checkbox"/> CP	<input type="checkbox"/> Other _____
K-7108	Decorative grid drain	<input type="checkbox"/> CP	<input type="checkbox"/> Other _____
K-7710	Metal stopper	<input type="checkbox"/> CP	<input type="checkbox"/> Other _____
K-9018	P-Trap	<input type="checkbox"/> CP	<input type="checkbox"/> Other _____

#### Product Specification

The fireclay lavatory shall be 25-1/16" (63.7 cm) in length and 18-1/16" (45.9 cm) in width. Lavatory shall be for countertop installation or for installation on the K-2392 vanity. Lavatory shall be available with or without overflow. Lavatory shall be Kohler Model K-2952-\_\_\_\_\_.

# STRELA™

## Technical Information

Fixture*:	
Basin area	24-1/2" (62.2 cm) x 17-1/2" (44.5 cm)
Water depth	3-11/16" (9.4 cm) without overflow 1-13/16" (4.6 cm) with overflow
Drain hole	1-3/4" (4.4 cm) D.
* Approximate measurements for comparison only.	

Included component:	
Cut-out template	1115039-7
Overflow cap for K-2952	K-4062-CP

## Installation Notes

Install this product according to the installation guide.

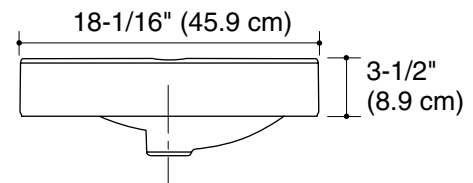
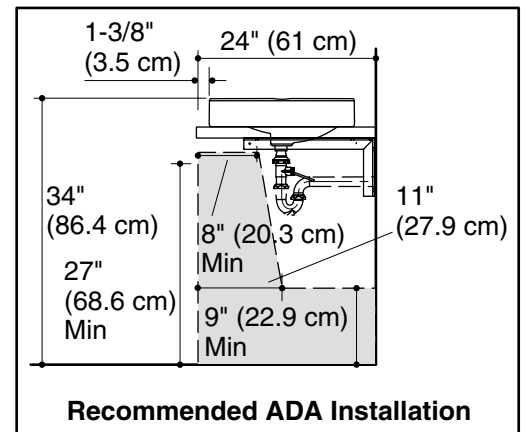
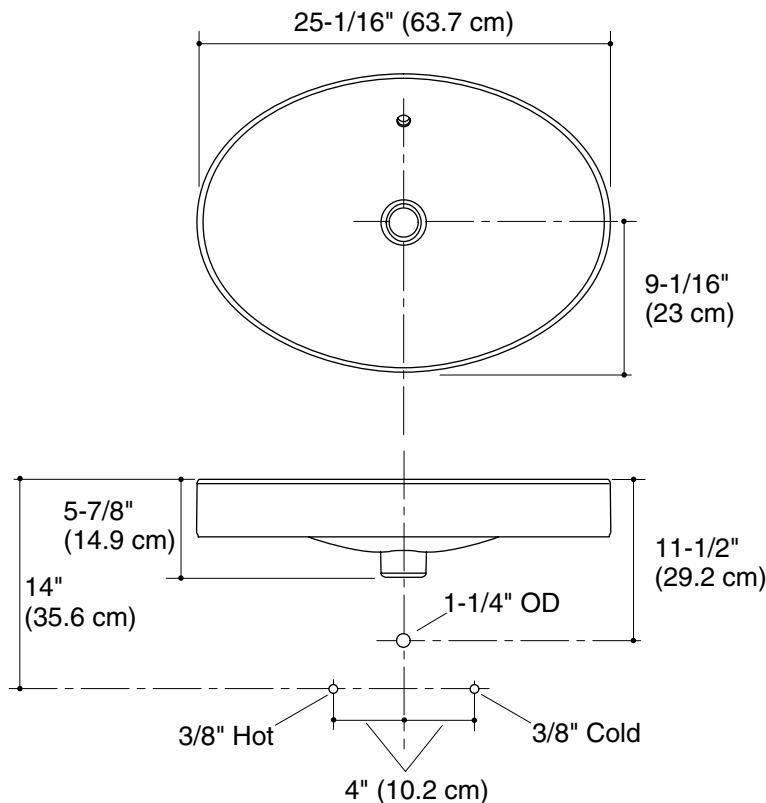
To install this product on the K-2392 vanity, refer to installation instructions for the vanity.

**IMPORTANT!** Product rests on a countertop. Consider height of product when designing installation.

Choose a faucet that will provide adequate clearance and will direct the water stream to the center of the lavatory.

When installing a pop-up drain to this lavatory, it may be necessary to bend the drain linkage to allow proper reach to the faucet lift rod.

**NOTICE:** The countertop manufacturer or cutter **must** use the cut-out template provided with the product, or a current one provided by the Kohler Co. (Call 1-800-4-KOHLER.) Kohler Co. is not responsible for cut-out errors when the incorrect cut-out template is used.



## Product Diagram