



# Tresham® Oval

## Drop-in Bathroom Sink

### K-2992-1

#### Features

- Single faucet hole.
- Oval basin with raised rim.
- Overflow drain.
- Coordinates with other products in the Tresham collection.
- Vitreous china construction

#### Material

- Vitreous china.

#### Installation

- Drop-in

#### Recommended Accessories

K-8998 P-Trap



ADA

#### Codes/Standards

ASME A112.19.2/CSA B45.1

ADA











ICC/ANSI A117.1

#### KOHLER® One-Year Limited Warranty

See website for detailed warranty information.

#### Available Color/Finishes

*Color tiles intended for reference only.*

Color	Code	Description
	0	White
	96	Biscuit
	47	Almond
	NY	Dune
	95	Ice™ Grey
	G9	Sandbar
	33	Mexican Sand™
	K4	Cashmere
	58	Thunder™ Grey
	7	Black Black™

1-800-4KOHLER (1-800-456-4537)

Kohler Co. reserves the right to make revisions without notice to product specifications.

For the most current Specification Sheet, go to [www.kohler.com](http://www.kohler.com).

12-4-2018 12:27 - US/CA

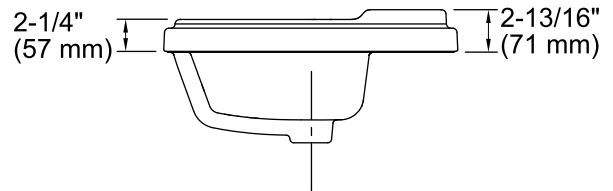
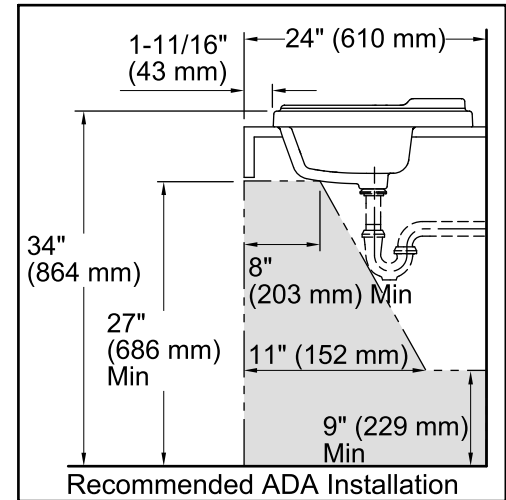
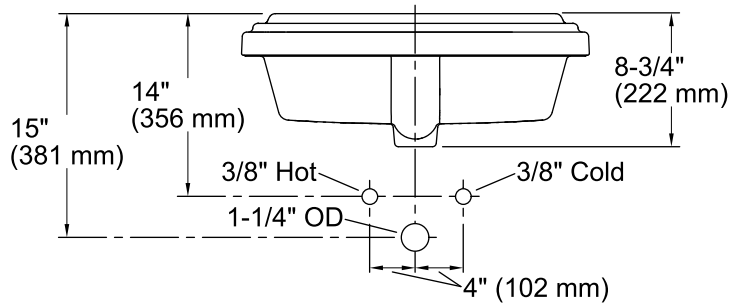
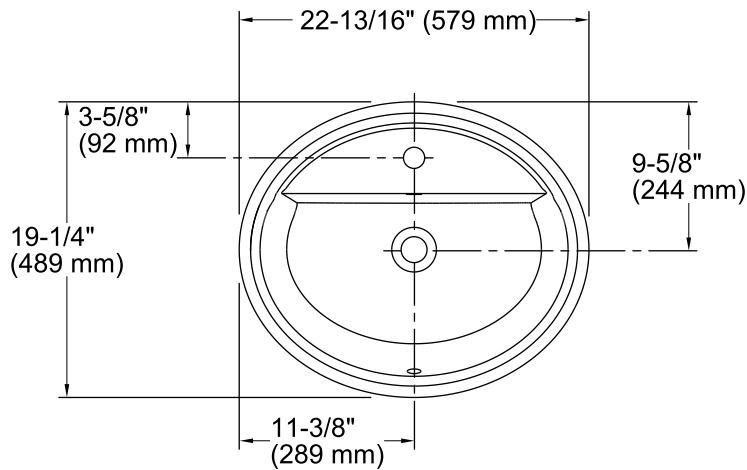
THE BOLD LOOK  
OF **KOHLER**®



# Tresham® Oval

## Drop-in Bathroom Sink

### K-2992-1



### Technical Information

All product dimensions are nominal.

- Bowl configuration: Single
- Installation: Drop-in
- Bowl area (Only): Length: 20-1/16" (510 mm)  
Width: 11-15/16" (303 mm)  
Water depth: 6-1/16" (154 mm)
- Number of deck holes: 1
- Faucet hole(s): 1-3/8" (35 mm)
- Drain hole: 1-3/4" (44 mm)
- Template: 1162720-7, required, included

### Notes

Install this product according to the installation instructions.

**NOTICE:** Countertop manufacturer or cutter must use the cut-out template provided with the product, or a current one provided by Kohler Co. (call 1-800-4KOHLER). Kohler Co. is not responsible for cutout errors when the incorrect cut-out template is used.

ADA compliant when installed to the specific requirements of these regulations.