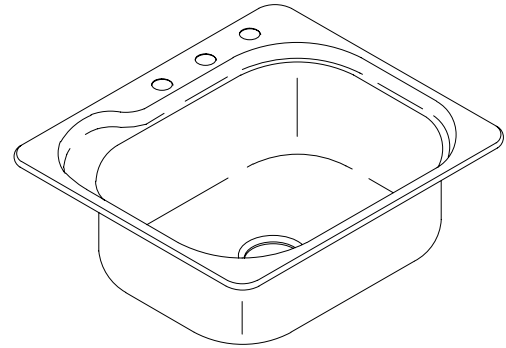


SELF-RIMMING KITCHEN SINK

K-3300

FEATURES

- 25" x 22"
- 18 gauge stainless steel
- Self-rimming
- Single compartment
- 3-hole (K-3300-3), 4-hole (K-3300-4), or single-hole (K-3300-1) faucet punching
- Includes installation hardware



CODES/STANDARDS APPLICABLE

Specified model meets or exceeds the following:

- IAPMO/UPC
- State of Massachusetts

COLORS/FINISHES

- NA None Applicable

Accessories:

- CP Polished Chrome
- Other Refer to Price Book for additional finishes

SPECIFIED MODEL:

Model	Description	Colors/Finishes	
K-3300-3	3-hole sink	<input type="checkbox"/> NA	
K-3300-4	4-hole sink	<input type="checkbox"/> NA	
K-3300-1	Single-hole sink	<input type="checkbox"/> NA	
Optional Accessories			
K-8801	Duostrainer sink strainer	<input type="checkbox"/> CP	<input type="checkbox"/> Other_____

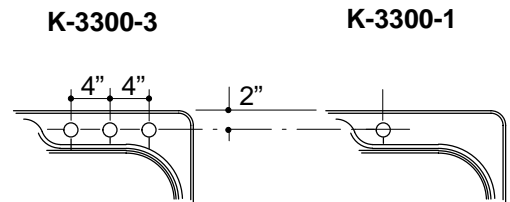
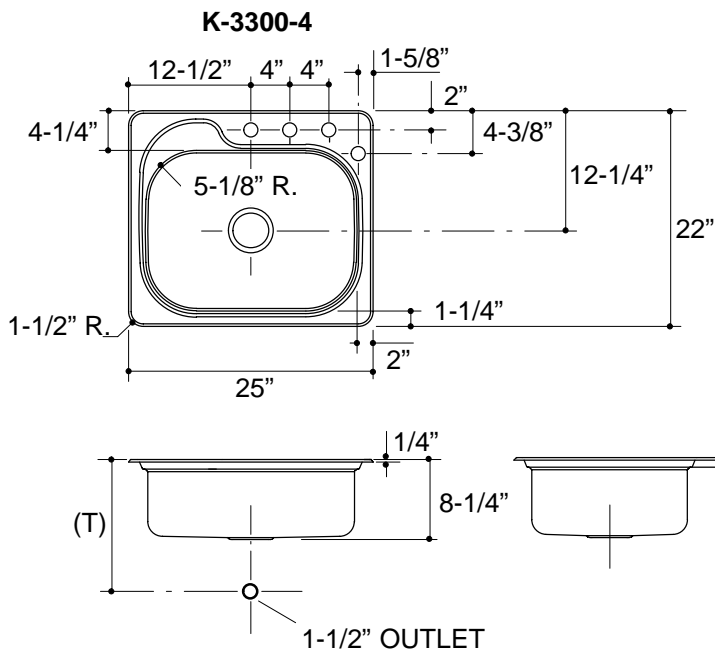
PRODUCT SPECIFICATION:

The self-rimming sink shall be 25" in length, and 22" in width. Sink shall be made of 18 gauge stainless steel. Sink shall be single compartment. Sink shall be 3-hole (K-3300-3), 4-hole (K-3300-4), or single-hole (K-3300-1) faucet punched. Sink shall include installation hardware. Sink shall be Kohler Model K-3300-_____-_____.

PRODUCT INFORMATION

Fixture*:		basin area	water depth
Sink		21" x 16"	7-1/4"
Outlet	3-5/8" D.		
Faucet holes	1-7/16" D.		

* Approximate measurements for comparison only.



Roughing-In Notes	
(T) Drain typically	13-1/2".
Cutout	24-1/2" x 21-1/2" with 1-1/2" radius corners.

PRODUCT DIAGRAM