

Features

- Metal construction.
- Brass valve bodies.
- Quarter-turn washerless ceramic disc valves.
- Lower flow aerator options are available (refer to the Kohler Price Book).
- Metal pop-up drain with lift rod and tailpiece.
- Lever handles.
- For 8" (203 mm) or 16" (406 mm) centers.
- 6-3/8" (162 mm) spout reach.
- 1.5 gal/min (5.7 l/min) maximum flow rate [max at 60 psi (4.14 bar)].



For complete listing of available colors, go to kohler.com.



Codes/Standards

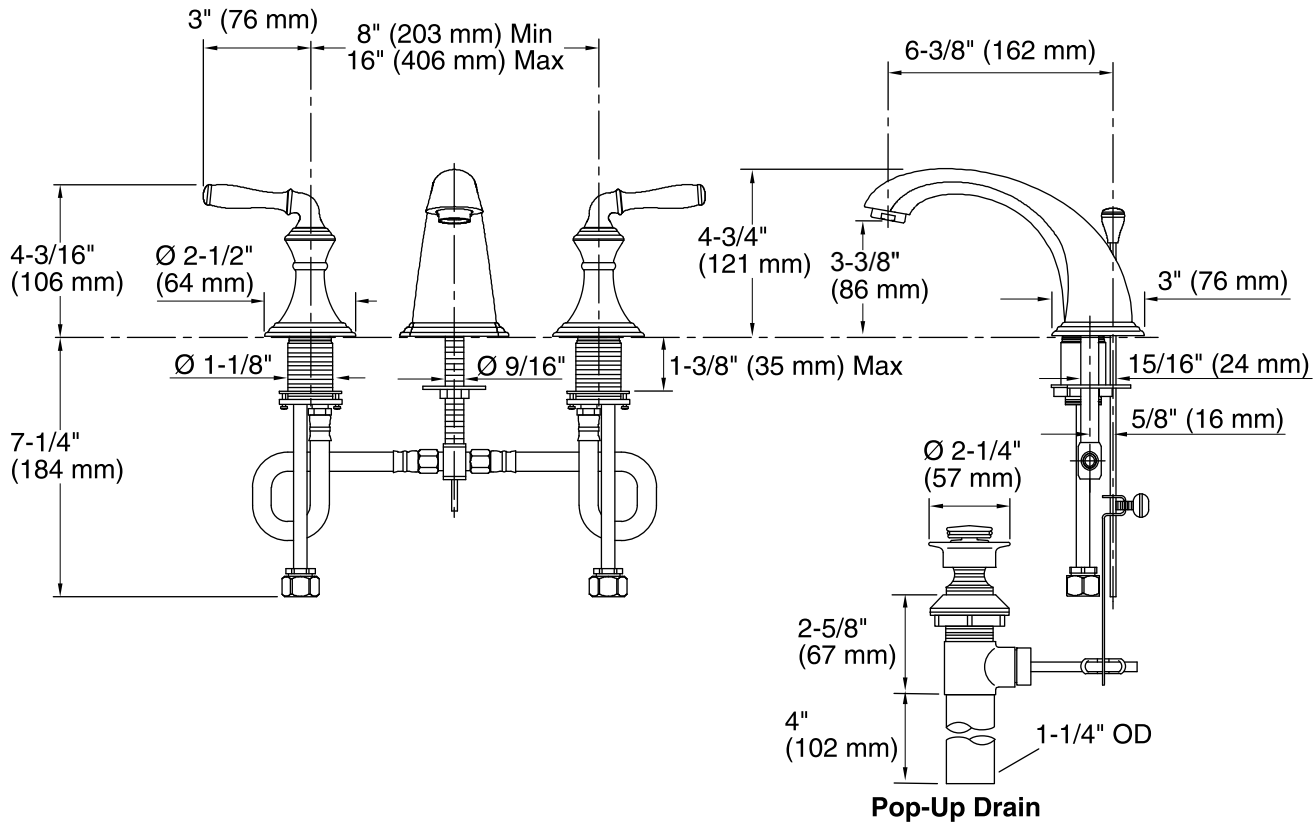
ASME A112.18.1/CSA B125.1
NSF 61/9
ADA
ICC/ANSI A117.1
EPA WaterSense®

KOHLER® Faucet Lifetime Limited Warranty

See website for detailed warranty information.

Product Specification

Bathroom sink faucet shall be 6-3/8" (162 mm) spout reach and 3-3/8" (86 mm) spout outlet height. Bathroom sink faucet shall be metal construction with brass valve bodies. Bathroom sink faucet shall be lever handles. Bathroom sink faucet shall be metal pop-up drain with tailpiece. Bathroom sink faucet shall be 8" (203 mm) or 16" (406 mm) centers. Bathroom sink faucet shall be KOHLER Model K-394-4.



Technical Information

All measurements are nominal.

Spout reach: 6-3/8" (162 mm)

Drain tailpiece included: YES

Faucet:

Flow rate: 1.5 gal/min (5.7 l/min)

Pressure: 60 psi (4.1 bar)

Installation Notes

Install this product according to the installation guide.

ADA compliant when installed to the specific requirements of these regulations.