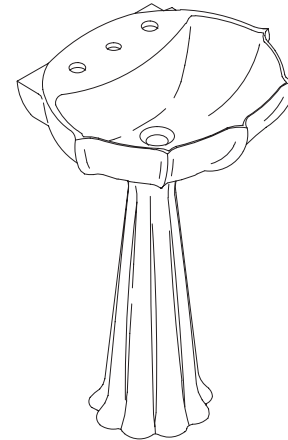


PEDESTAL LAVATORY

K-2099

FEATURES

- 21-3/4" (55.2cm) x 18-1/4" (46.4cm) x 31-7/8" (81cm)
- Vitreous china
- Pedestal lavatory
- 4" (10.2cm) centers (K-2099-4), 8" (20.3cm) centers (K-2099-8) or single-hole (K-2099-1) drilling



CODES/STANDARDS APPLICABLE

Specified model meets or exceeds the following:

- ASME/ANSI A112.19.2M
- IAPMO/UPC
- Canadian Standards Association (CSA)
- State of Massachusetts

COLORS/FINISHES

- 0 White
- Other Refer to Fixtures Price Book for additional colors

Accessories:

- CP Polished Chrome
- Other Refer to Faucets Price Book for additional finishes

SPECIFIED MODEL:

Model	Description	Colors/Finishes	
K-2099-4	4" (10.2cm) centers lavatory	<input type="checkbox"/> 0 White	<input type="checkbox"/> Other _____
K-2099-8	8" (20.3) centers lavatory	<input type="checkbox"/> 0 White	<input type="checkbox"/> Other _____
K-2099-1	Single-hole lavatory	<input type="checkbox"/> 0 White	<input type="checkbox"/> Other _____

Recommended Accessories			
K-7605-P	Lavatory supplies 3/8" (1cm) (pair)	<input type="checkbox"/> CP	<input type="checkbox"/> Other _____
K-8998	Trap	<input type="checkbox"/> CP	<input type="checkbox"/> Other _____

PRODUCT SPECIFICATION:

The pedestal lavatory shall be 21-3/4" (55.2cm) in length, 18-1/4" (46.4cm) in width, and 31-7/8" (81cm) in height. Pedestal lavatory shall be made of vitreous china. Pedestal lavatory shall have 4" (10.2cm) centers (K-2099-4), 8" (20.3cm) centers (K-2099-8), or single-hole (K-2099-1) drilling. Pedestal lavatory shall be Kohler Model K-2099-_____ -_____.

PRODUCT INFORMATION

Fixture*:		basin area	water depth
Lavatory		20" (50.8cm) x 11" (27.9cm)	6-5/8" (16.8cm)
Drain hole	1-3/4" D. (4.4cm)		

* Approximate measurements for comparison only.

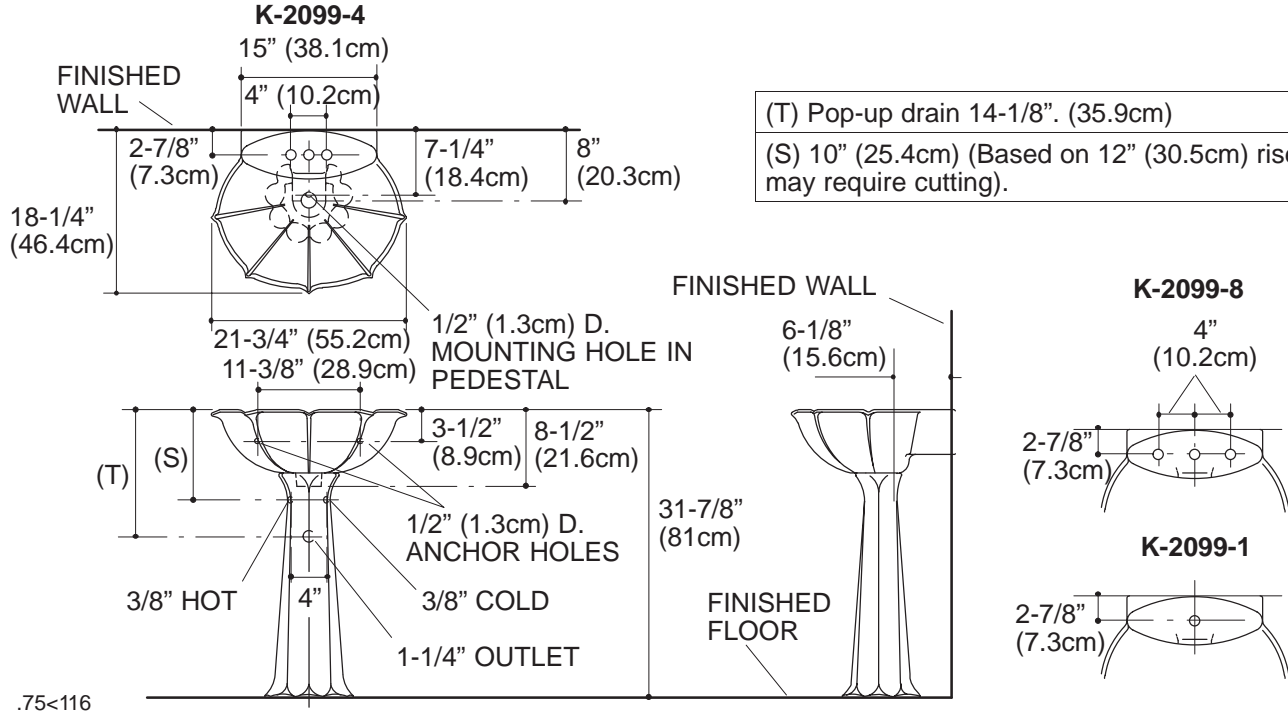
Holes	K-2099-4	K-2099-8	K-2099-1
Spout	1-1/4" D. (3.2cm)	1-3/8" D. (3.5cm)	1-3/8" D. (3.5cm)
Faucet	1-1/4" D. (3.2cm)	1-3/8" D. (3.5cm)	

Included Components:	
Lavatory basin, 4" (10.2cm) centers	K-2230-4
Lavatory basin, 8" (20.3cm) centers	K-2230-8
Lavatory basin, single-hole	K-2230-1
Pedestal	K-2232
Pedestal accessory pack	52204
Rubber pads	63069

INSTALLATION NOTES

Install this product according to the installation guide.

Fixture dimensions are nominal and conform to tolerances in ASME Standard A112.19.2M.



(T) Pop-up drain 14-1/8" (35.9cm)

(S) 10" (25.4cm) (Based on 12" (30.5cm) riser which may require cutting).

PRODUCT DIAGRAM