

### FEATURES

- Concealed trapway
- Ingenium™ flushing system
- 12" (30.5cm) rough-in
- Vitreous china
- 10-1/2" (26.7cm) x 9-1/4" (23.5cm) water area
- Elongated bowl
- Comfort height
- 1.6 gpf (6 lpf) performance compared to 3.5 gpf (13lpf) models
- Includes polished chrome trip lever
- Combination toilet
- 16-1/2" (41.9cm) high bowl is ADA compliant
- Less seat and supply
- With right hand trip lever (-RA)

### CODES/STANDARDS APPLICABLE

Specified model meets or exceeds the following:

- ADA
- ASME/ANSI A112.19.2M
- CABO/ANSI A117.1
- Energy Policy Act of 1992 (EPACT)
- IAPMO/UPC
- Canadian Standards Association (CSA)

### COLORS/FINISHES

- 0 White
- Other Refer to Fixtures Price Book for additional colors

#### Accessories:

- 0 White
- CP Polished Chrome
- PB Polished Brass
- Other Refer to Fixtures Price Book for additional colors

### SPECIFIED MODEL:

Model	Description	Colors/Finishes	
K-3465	Elongated bowl toilet (left hand trip lever)	<input type="checkbox"/> 0 White	<input type="checkbox"/> Other_____
K-3465-RA	Elongated bowl toilet (right hand trip lever)	<input type="checkbox"/> 0 White	<input type="checkbox"/> Other_____

Recommended Accessories			
K-4664	Brevia™ seat with cover	<input type="checkbox"/> 0 White	<input type="checkbox"/> Other_____
K-7637	Angle supply with stop	<input type="checkbox"/> CP	<input type="checkbox"/> PB <input type="checkbox"/> Other_____
21401	Floor bolts (pr.)		

Optional Accessories			
K-9438	Trip lever for K-3465 (non-CP)	<input type="checkbox"/> PB	<input type="checkbox"/> Other_____

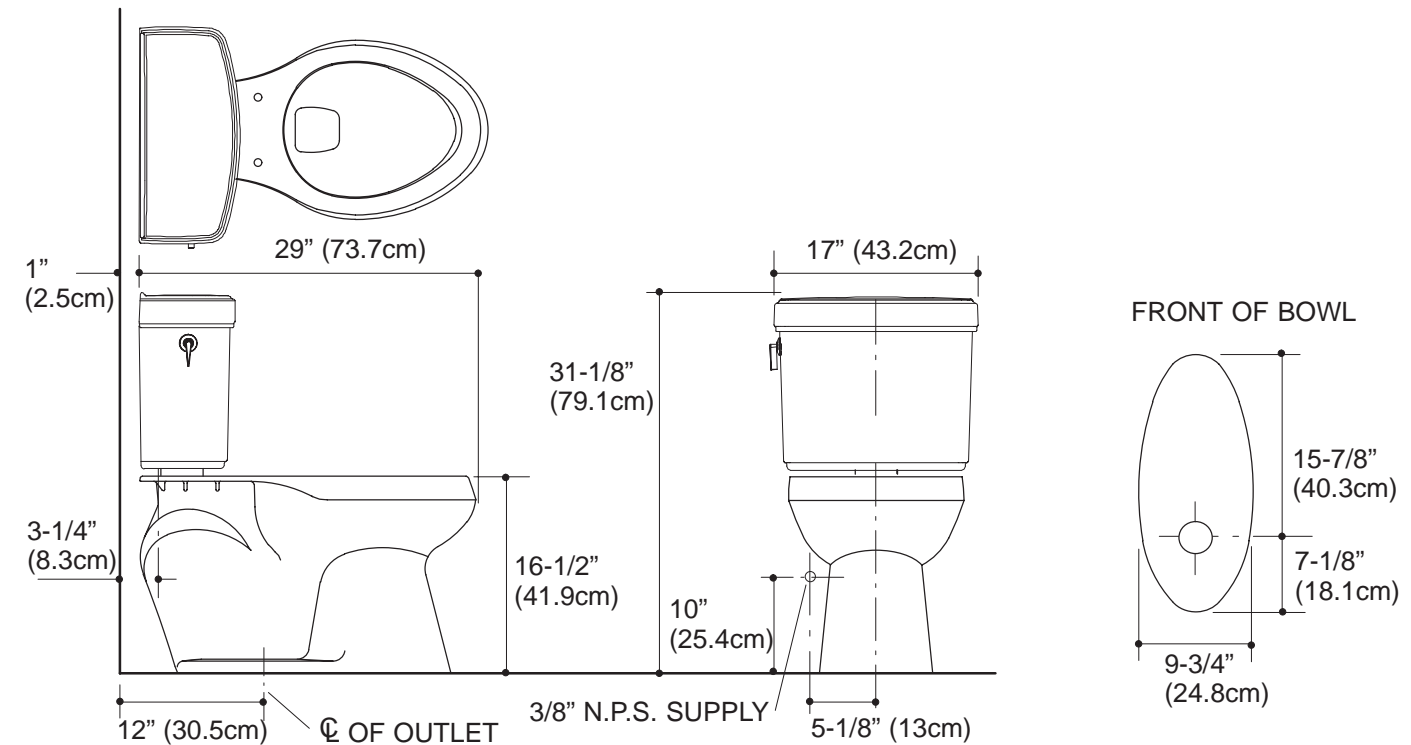
### PRODUCT SPECIFICATION:

The elongated combination toilet shall be 12" (30.5cm) rough-in. Toilet shall be made of vitreous china. Toilet shall have concealed trapway. Toilet shall have 11-1/8" (28.3cm) x 9-1/2" (24.1cm) water area. Toilet shall have Kohler Ingenium™ flushing system. Toilet shall be at comfort height. Toilet shall be 1.6 gpf (6 lpf). Toilet shall include polished chrome trip lever. Toilet shall be ADA compliant with 16-1/2" (41.9cm) high bowl. Toilet shall be less seat and supply. Toilet shall include right hand trip lever (-RA) option. Toilet shall be Kohler Model K-3465-\_\_\_\_\_ -\_\_\_\_\_.

# PINOIR® COMFORT HEIGHT™

## PRODUCT INFORMATION

Fixture:	
Configuration	2-piece, elongated
Water per flush	1.6 gallons (6L)
Passageway	2-1/8" (5.4cm)
Water area	10-1/2" (26.7cm) x 9-1/4" (23.5cm)
Water depth from rim	5-1/2" (14cm)
Seat post hole centers	5-1/2" (14cm)
Included Components:	
Bowl	K-4278
Tank	K-4609
Tank cover	1015137
Trip lever, left hand	85085
Trip lever, right hand	1007913



116

## PRODUCT DIAGRAM