

Features

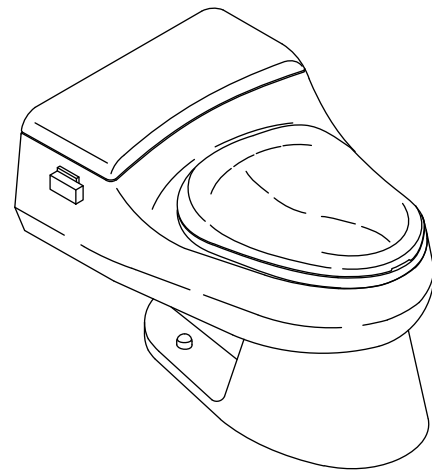
- Vitreous china
- Elongated bowl
- Comfort Height®
- 12" (305 mm) rough-in
- One-piece
- Includes seat and cover
- Less supply
- Equipped with Sloan FLUSHMATE® Pressure Vessel
- 1.0 gpf (3.8 lpf)
- 9" (229 mm) x 7" (178 mm) water area
- 30" (762 mm) x 19-1/2" (495 mm) x 21-1/2" (546 mm)

COMFORT HEIGHT™ ELONGATED TOILET K-3597 ALSO K-3597-NF

ADA

CSA B651

OBC



Codes/Standards Applicable

Specified model meets or exceeds the following:

- ADA
- ICC/ANSI A117.1
- CSA B651
- OBC
- ASME A112.19.2/CSA B45.1
- EPA WaterSense®

Colors/Finishes

- 0: White
- Other: Refer to Price Book for additional colors/finishes

Accessories

- 0: White
- CP: Polished Chrome
- PB: Vibrant® Polished Brass
- Other: Refer to Price Book for additional colors/finishes

Specified Model

Model	Description	Colors/Finishes	
K-3597	Elongated bowl toilet	<input type="checkbox"/> 0	<input type="checkbox"/> Other_____
K-3597-NF	Elongated bowl toilet	<input type="checkbox"/> 0	<input type="checkbox"/> Other_____

Recommended Accessories			
K-7637	Angle supply with stop – 3/8" NPT	<input type="checkbox"/> CP	<input type="checkbox"/> PB <input type="checkbox"/> Other_____

Product Specification

The Comfort Height® one-piece toilet shall be made of vitreous china and 1.0 gpf (3.8 lpf). Toilet shall be 30" (762 mm) in length, 19-1/2" (495 mm) in width, and 21-1/2" (546 mm) in height. Toilet shall have a 9" (229 mm) x 7" (178 mm) water area, and a 12" (305 mm) rough-in. Toilet shall be equipped with Sloan Flushmate® Pressure Vessel. Toilet shall include seat and cover. Toilet shall be less supply. Toilet shall be Kohler Model K-3597-_____.

SAN RAPHAEL™

Optional Accessories

K-4650	Lustra™ elongated open front toilet seat – for Accessibility compliance	<input type="checkbox"/> 0	<input type="checkbox"/> Other_____
--------	---	----------------------------	-------------------------------------

Technical Information

Fixture*:	
Configuration	One-piece, elongated
Water per flush	1 gal (3.8 L)
Passageway	2-1/8" (54 mm)
Water depth from rim	5-7/8" (149 mm)
Water area	9" (229 mm) x 7" (178 mm)
Seat post hole centers	5-1/2" (140 mm)
Minimum static pressure required	35 psi (241 kPa)

Included components:	
Tank cover	1055954
Bolt cap accessory pack	1013092
Toilet seat	74917
Tank accessory pack	84301

Installation Notes

Install this product according to the installation guide.

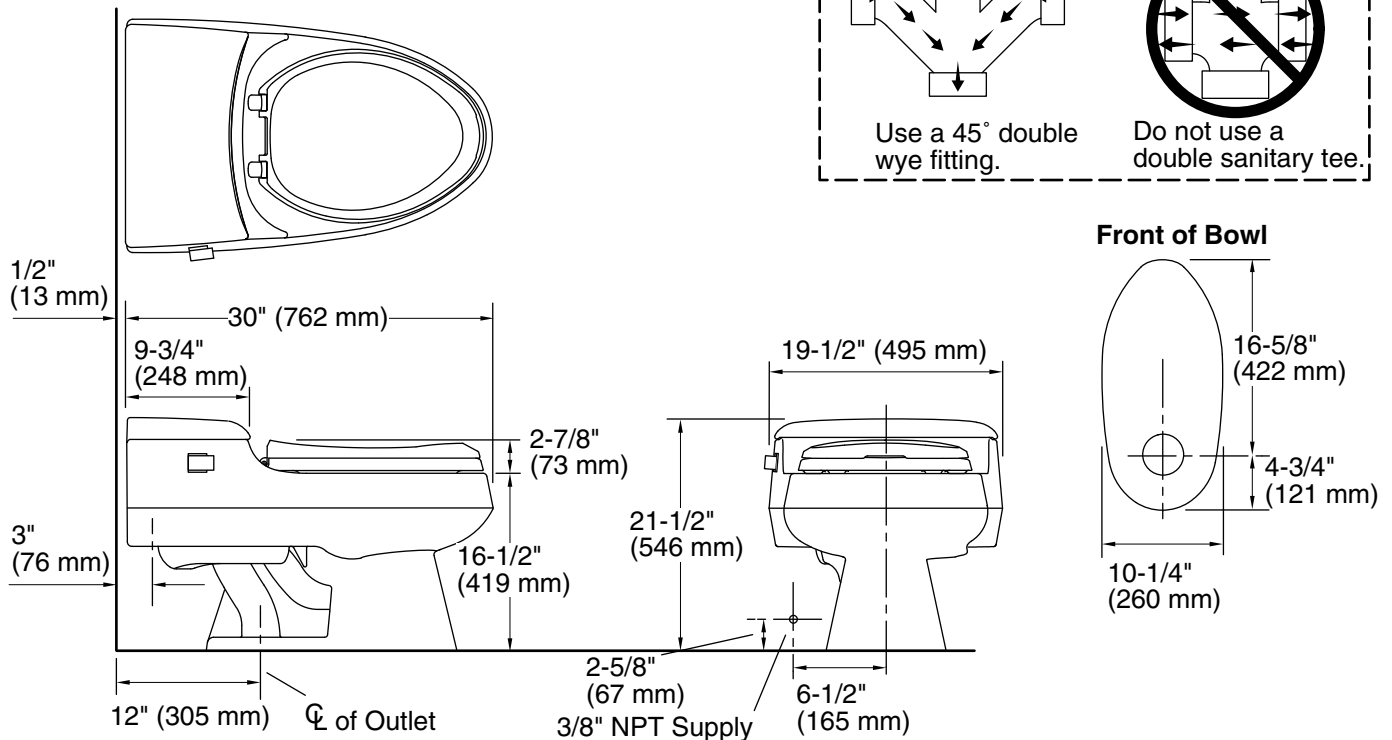
For back-to-back toilet installations: Use only a 45° double wye fitting.

Will comply with the American Disabilities Act (**ADA**) when installed per the requirements of the Accessibility Guidelines, Section 604 Water Closets, of the Act. The Model Plumbing Codes require the installation of elongated open-front toilet seats in public bathrooms.

Will comply with **CSA B651** when installed per Clause 4.3.6 of the standard.

Will comply with **OBC** Barrier Free requirements when installed per Clause 3.8.3.8 and 3.8.3.9.

Fixture conforms to ASME Standard A112.19.2/CSA B45.1. All dimensions are nominal.



Product Diagram

SAN RAPHAEL™ COMFORT HEIGHT™ ELONGATED TOILET