

Features

- Katalyst™ Spray Technology with air induction ball joint (patent pending).
- Optimized sprayface for maximum performance.
- MasterClean™ spray nozzles prohibit mineral build-up for easy cleaning.
- 1/2" -14 NPT connection.
- Single-function showerhead with Katalyst™ Spray Technology.
- 5-1/2"(140 mm) diameter sprayface.
- 2.0 gal/min (7.6 l/min) maximum flow rate.

Recommended Accessories

K-7397 Shower Arm and Flange



Codes/Standards



ASME A112.18.1/CSA B125.1
DOE - Energy Policy Act 1992
EPA WaterSense®
California Energy Commission (CEC)

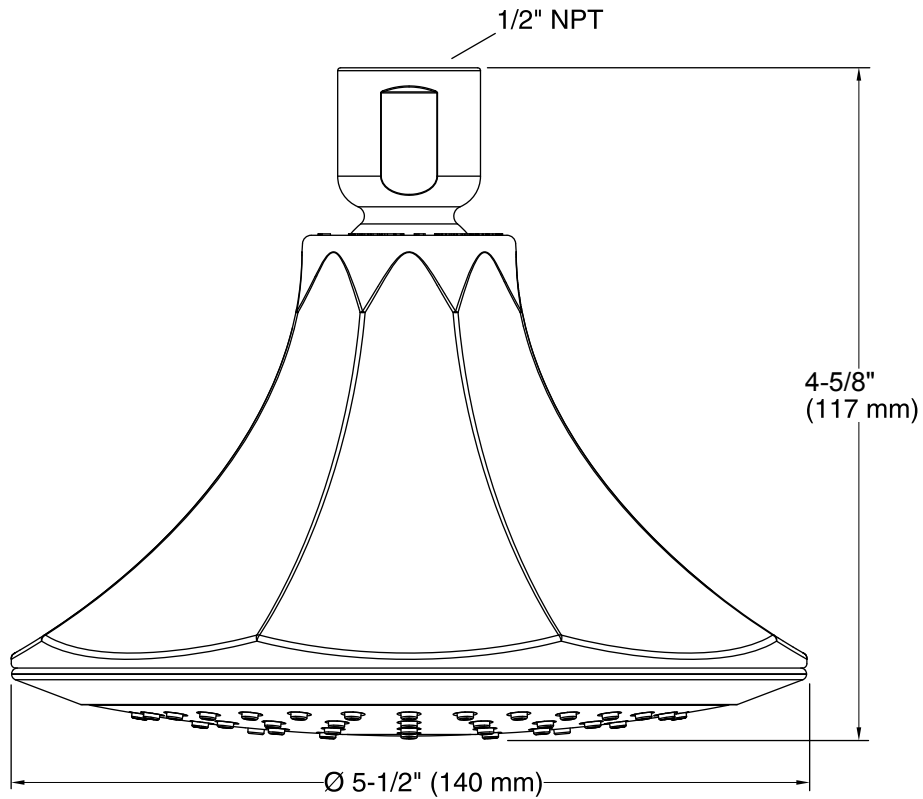
KOHLER® Faucet Lifetime Limited Warranty

See website for detailed warranty information.

Available Color/Finishes

Color tiles intended for reference only.

Color	Code	Description
	CP	Polished Chrome
	BN	Vibrant® Brushed Nickel



Technical Information

All product dimensions are nominal.

Showerhead:

Rated maximum flow: 2 gal/min (7.6 l/min)

Notes

Install this product according to the installation guide.