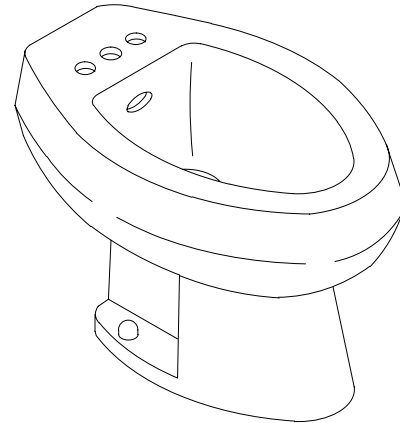


### FEATURES

- Vitreous china
- Drilled for fixture-mounted centerset over-the-rim bidet faucet
- For above or below the floor rough-in



### CODES/STANDARDS APPLICABLE

Specified model meets or exceeds the following:

- ASME/ANSI A112.19.2M
- IAPMO/UPC
- Canadian Standards Association (CSA)
- State of Massachusetts

### COLORS/FINISHES

- 0 White
- Other Refer to Fixtures Price Book for additional colors

#### Accessories:

- CP Polished Chrome
- PB Polished Brass
- Other Refer to Faucets Price Book for additional finishes

### SPECIFIED MODEL:

Model	Description	Colors/Finishes	
K-4864	Bidet	<input type="checkbox"/> 0 White	<input type="checkbox"/> Other_____

Recommended Accessories			
K-9018	Trap	<input type="checkbox"/> CP	<input type="checkbox"/> PB <input type="checkbox"/> Other_____
K-6226-4	Flair™ Lever faucet <b>OR</b>	<input type="checkbox"/> CP	<input type="checkbox"/> PB
K-8240	Taboret® LX faucet <b>OR</b>		<input type="checkbox"/> Other_____
K-8240-K	Taboret base faucet <b>OR</b>	<input type="checkbox"/> CP	<input type="checkbox"/> PB
K-9279-K	Triton™/Finesse™/Flair Acrylic base faucet <b>OR</b>	<input type="checkbox"/> CP	<input type="checkbox"/> PB
K-9299-2	Alternat™ faucet <b>OR</b>	<input type="checkbox"/> CP	<input type="checkbox"/> PB <input type="checkbox"/> Other_____
K-14532	Paladar™ faucet <b>OR</b>	<input type="checkbox"/> CP	<input type="checkbox"/> PB <input type="checkbox"/> Other_____
K-15894-K	Coralais™ base faucet <b>OR</b>	<input type="checkbox"/> CP	<input type="checkbox"/> PB
K-16131	Revival™ faucet	<input type="checkbox"/> CP	<input type="checkbox"/> PB <input type="checkbox"/> Other_____

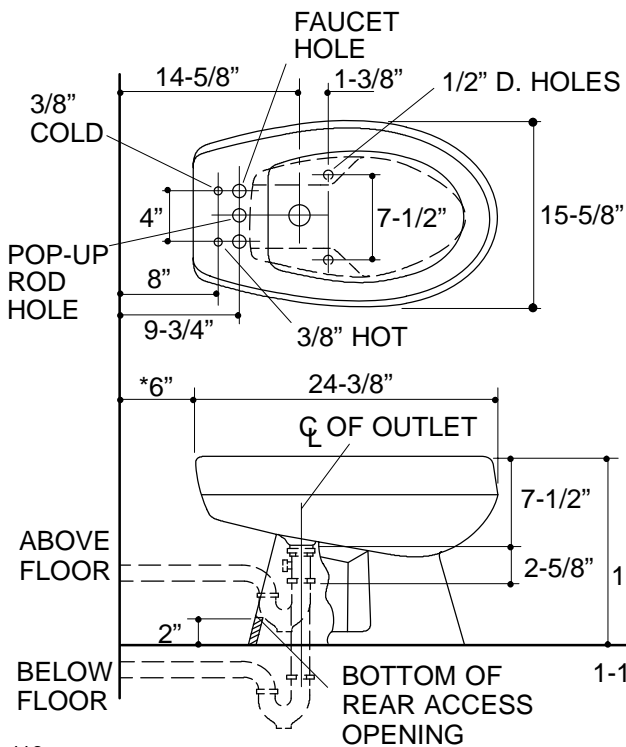
### PRODUCT SPECIFICATION:

The bidet shall be made of vitreous china. Bidet shall be drilled for fixture-mounted centerset over-the-rim bidet faucet. Bidet shall be for above or below the floor rough-in. Bidet shall be Kohler Model K-4864-\_\_\_\_\_.

# AMARETTO™

## PRODUCT INFORMATION

Fixture:	
Configuration	Faucet deck
Outlet	1-3/4" D.
Faucet hole	1-3/16" D.
Pop-up rod hole	1-3/16" D.
Included Components:	
Floor screws and bolt caps	52049

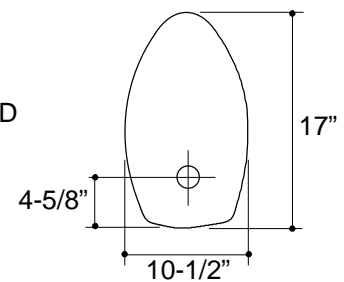


### Roughing-In Notes

\*6" dimension required to allow for drain and supply connection from rear of bidet.

Install trap in drain line below floor.

### FRONT OF BIDET



116

## PRODUCT DIAGRAM