

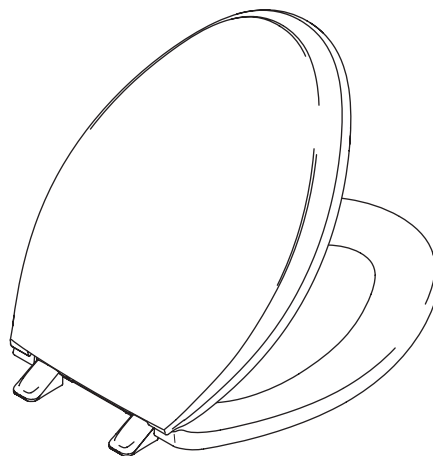
Features

- *Elongated front*
- *Closed front*
- *Solid polypropylene plastic*
- *Ergonomically contoured seat and cover*

Codes/Standards Applicable

Specified model meets or exceeds the following:

- *None applicable*



Colors/Finishes

- 0: White
- Other: Refer to Price Book for additional colors/finishes

Specified Model

Model	Description	Colors/Finishes	
K-4684	Elongated closed front seat with cover	<input type="checkbox"/> 0	<input type="checkbox"/> Other_____

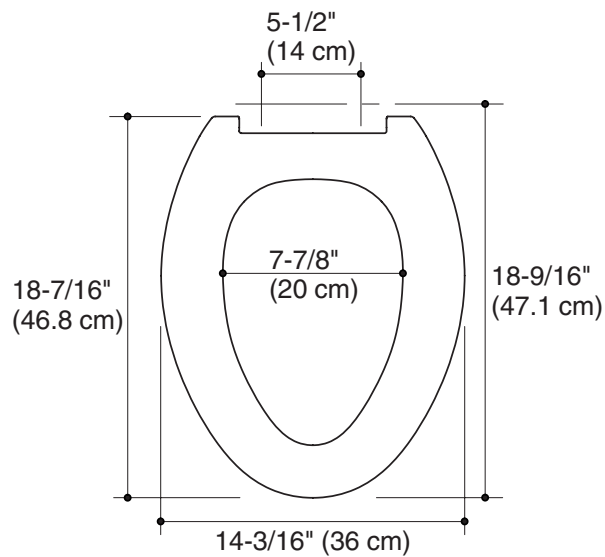
Product Specification:

The elongated closed front toilet seat shall be made of solid polypropylene plastic. Toilet shall have ergonomically contoured seat and cover. Toilet seat shall be Kohler Model K-4684-_____.

GLENBURY™

Installation Notes

Install this product according to the installation guide.



Product Diagram