



Stanwell™
1.0 gpf Blow-out Urinal
K-4972-ER

Features

- Blow-out
- 1-1/4" rear spud.
- Includes inlet and outlet spuds and hangers.
- 1.0 gpf (3.8 lpf).

Material

- Vitreous china.

Recommended Accessories

K-10959 Tripoint™ DC 1.0 GPF Blwout Flushometer

K-13522 Manual 1.0 GPF Blwout Flushometer

Optional Accessories

18763 Spud

Components

Additional included component/s: 2 Outlet Spud, 1 1/4" Inlet Spud, Hanger (2 required), and 5/8" Drain Plug.



ADA

Codes/Standards

DOE - Energy Policy Act 1992

ADA





ICC/ANSI A117.1

KOHLER® One-Year Limited Warranty

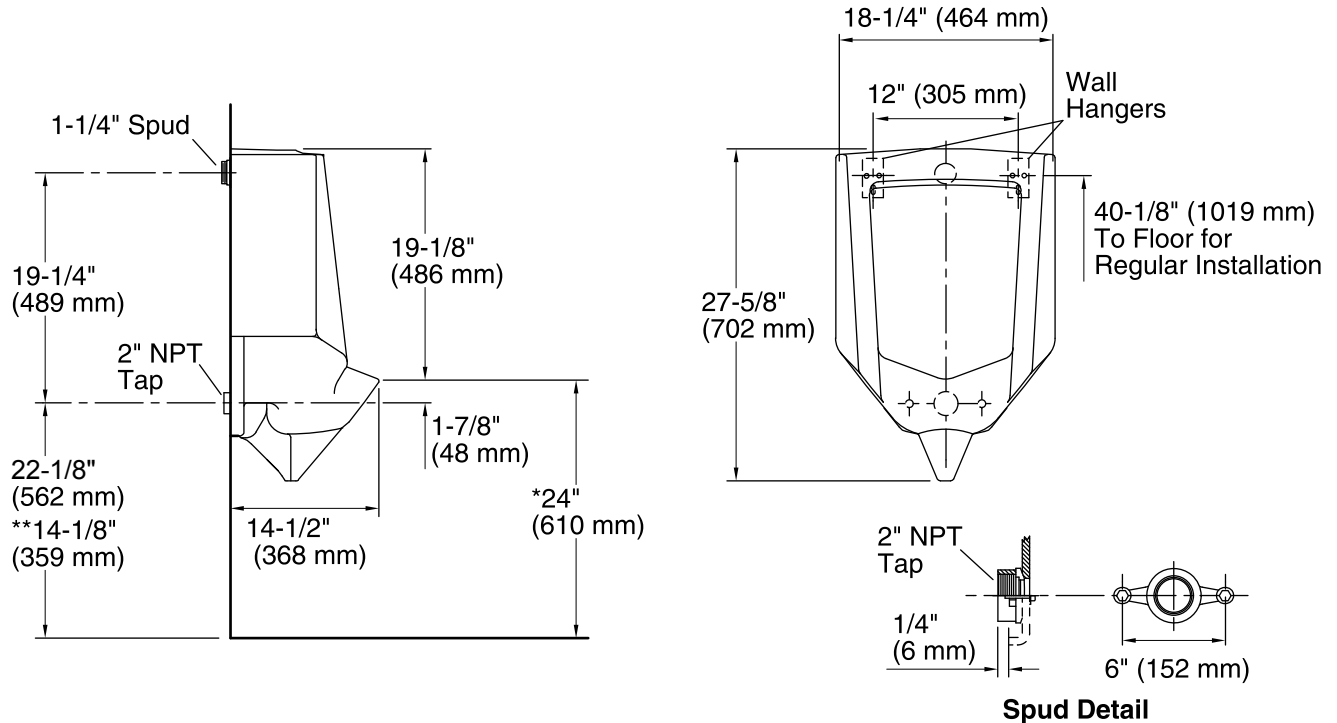
See website for detailed warranty information.

Available Color/Finishes

Color tiles intended for reference only.

Color	Code	Description
	0	White
	96	Biscuit
	47	Almond
	7	Black Black™

*Urinal complies with ADA requirements when rim is mounted no higher than 17" (432 mm) from finished floor.
**Maximum outlet height for ADA compliance.



Technical Information

All product dimensions are nominal.

Flush outlet technology: Blow-out

Spud size: inlet, Rear

Max. Water per Flush: 1 gal (3.8 L)

Notes

Install this product according to the installation guide.

Refer to manufacturer's instructions and local codes for flushometer requirements.

ADA compliant when installed to the specific requirements of these regulations.