



## Features

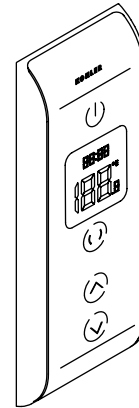
- Digitally controlled
- High-temperature limit setting for added safety
- Mounts on finished wall surface
- One touch control of 2 valve outlets
- Interface includes a 20 ft (6.1 m) cable
- Low profile design
- Selectable water-saving functionality
- Selectable Fahrenheit or Celsius
- Selectable outlet delivery

## Codes/Standards Applicable

Specified model meets or exceeds the following:

- FCC Part 15
- UL 1951
- CE

## DIGITAL INTERFACE K-527



## Colors/Finishes

- 1CP: Complements Chrome Finishes
- 1SN: Complements Nickel Finishes
- 0: White
- 7: Black Black™

## Accessories

- NA: None applicable

## Specified Model

Model	Description	Colors/Finishes			
K-527	Digital interface	<input type="checkbox"/> 1CP	<input type="checkbox"/> 1SN	<input type="checkbox"/> 0	<input type="checkbox"/> 7
<b>Required Accessories</b>					
K-528-K	Thermostatic valve	<input type="checkbox"/> NA			

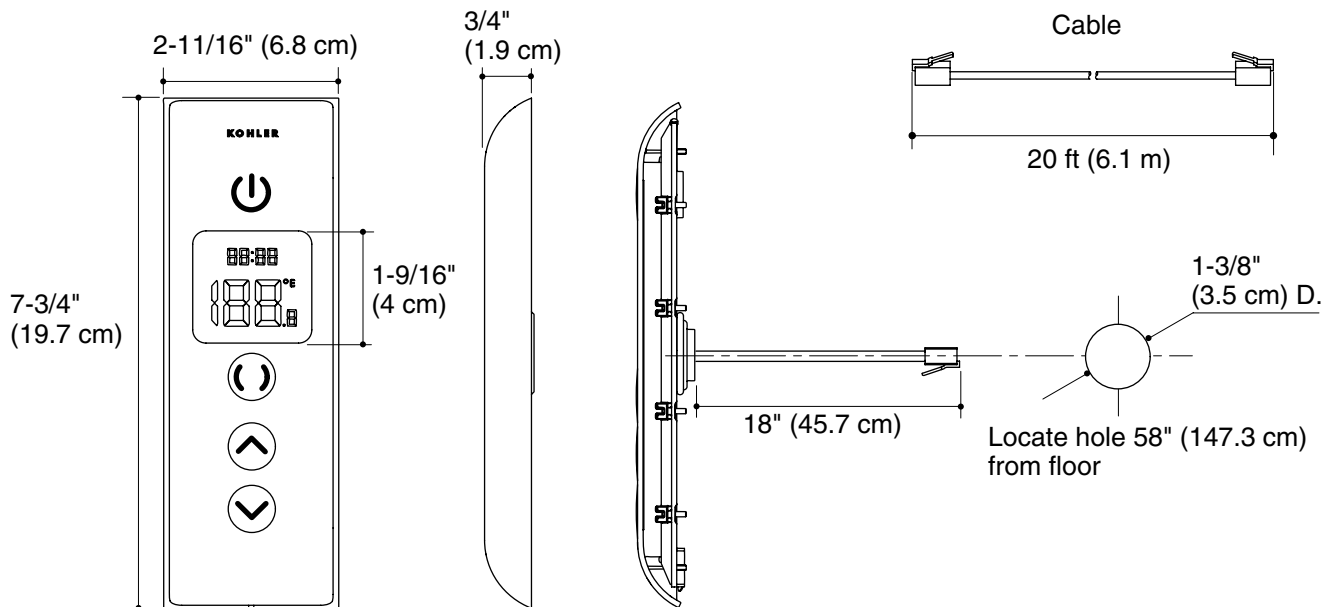
## Product Specification

The digital interface shall mount on finished wall surface. Product shall be digitally controlled. Product shall include a high-temperature limit setting for added safety. Product shall feature one touch control of 2 valve outlets. An interface includes a 20 ft (6.1 m) cable, and low profile design. Product shall have selectable water-saving functionality and selectable outlet delivery. Product shall have selectable Fahrenheit or Celsius. Product shall be Kohler Model K-527-\_\_\_\_\_.

## Installation Notes

Install this product according to the installation guide.

Recommended install height 58" (147.3 cm) from floor to center of interface.



## Product Diagram