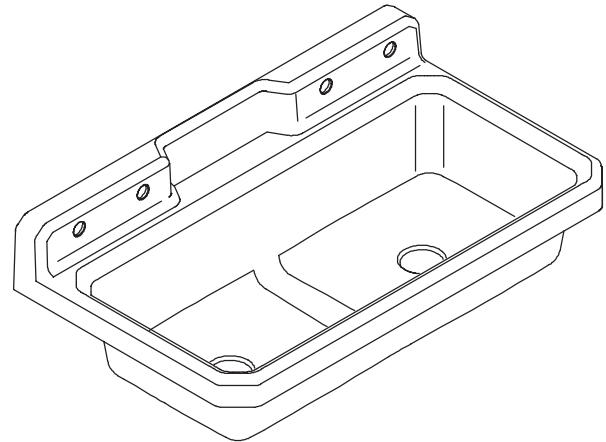


FEATURES

- 48" (121.9cm) x 28" (71.1cm)
- Cast iron
- Acid resistant enamel finish
- Single compartment
- One hole drilling (K-6607-1)
- Three hole drilling (K-6607-3)
- Four hole drilling (K-6607-4)



CODES/STANDARDS APPLICABLE

Specified model meets or exceeds the following:

- ASME/ANSI A112.19.1M
- IAPMO/UPC
- Canadian Standards Association (CSA)

COLORS/FINISHES

- 0 White
- Other Refer to Fixtures Price Book for additional colors

Accessories:

- CP Polished Chrome
- Other Refer to Price Book for additional finishes

SPECIFIED MODEL:

Model	Description	Colors/Finishes	
K-6607-1	One-hole center deck of sink	<input type="checkbox"/> 0 White	<input type="checkbox"/> Other_____
K-6607-3	Three-hole center deck of sink	<input type="checkbox"/> 0 White	<input type="checkbox"/> Other_____
K-6607-4	Four-hole, two on both sides of sink (shown)	<input type="checkbox"/> 0 White	<input type="checkbox"/> Other_____

Recommended Accessories			
K-8801	Duostrainer sink strainer	<input type="checkbox"/> CP	<input type="checkbox"/> Other_____
Optional Accessories			
K-6026	Wood grate		<input type="checkbox"/> NA
K-6029L	Bottom basin rack (left-side of drain)		<input type="checkbox"/> ST
K-6029R	Bottom basin rack (right-side of drain)		<input type="checkbox"/> ST
K-6035	Cutting board		<input type="checkbox"/> NA
K-6617	Legs (pair) for wall-mount installation of sink	<input type="checkbox"/> 0 White	<input type="checkbox"/> Other_____

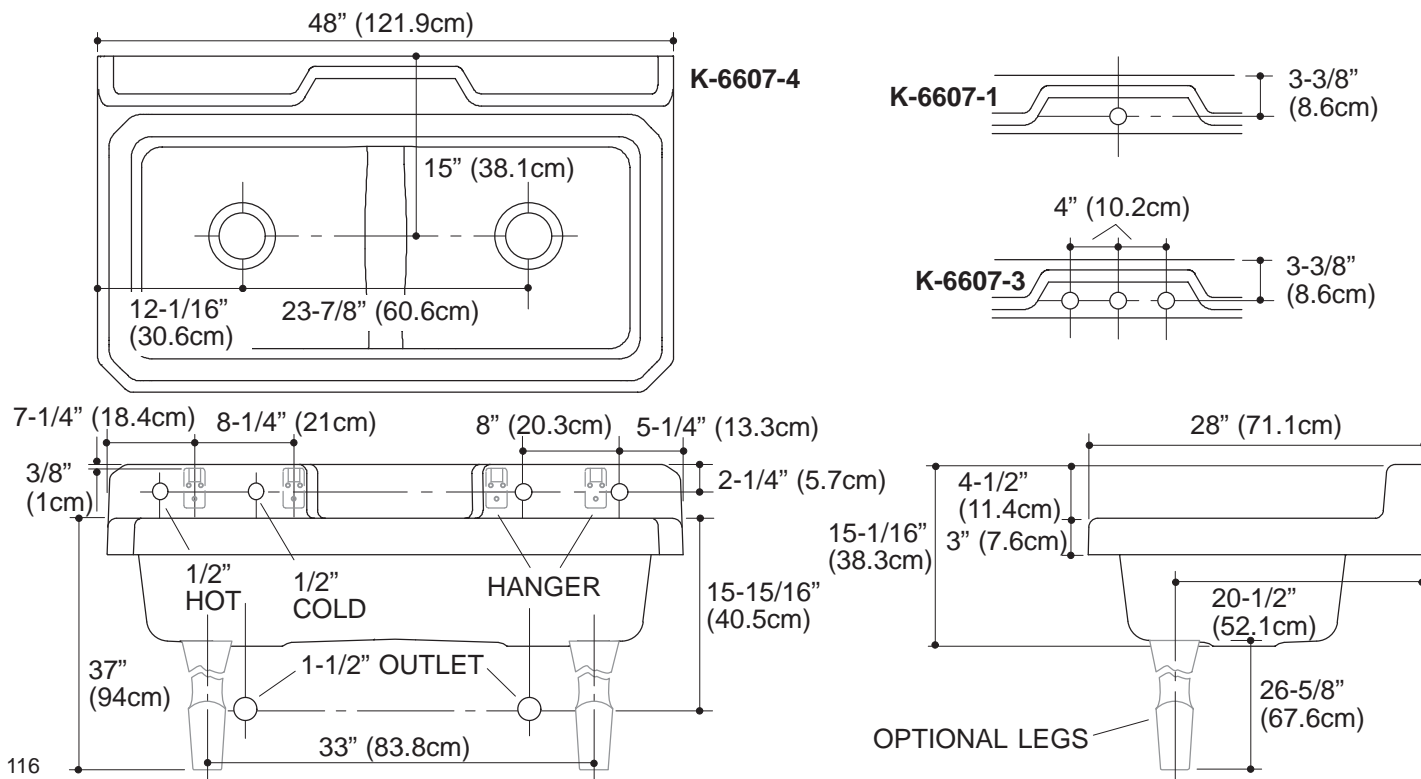
PRODUCT SPECIFICATION:

The countertop sink shall either be 48" (121.9cm) in length, and 28" (71.1cm) in width). Sink shall be made of cast iron with acid resistant enamel finish. Sink shall be single compartment. Sink shall have one-hole drilling (K-6607-1), three-hole drilling (K-6607-3), or four-hole drilling (K-6607-4). Sink shall be Kohler Model K-6607-_____-_____-_____.

HARBORVIEW™

PRODUCT INFORMATION

Fixture*:		basin area	water depth
Sink		42-7/16" (107.8cm) x 18-1/2" (47cm)	10" (25.4cm)
Water capacity	29.5 gallons (111.6L)		
Faucet holes	1-3/8" D. (3.5cm)		
Drain holes	3-7/8" D. (9.8cm)		
* Approximate measurements for comparison only.			
Cutout, countertop	44" (111.8cm) X 20" (50.8cm) with 1-15/16" (4.9cm) radius corners.		



PRODUCT DIAGRAM