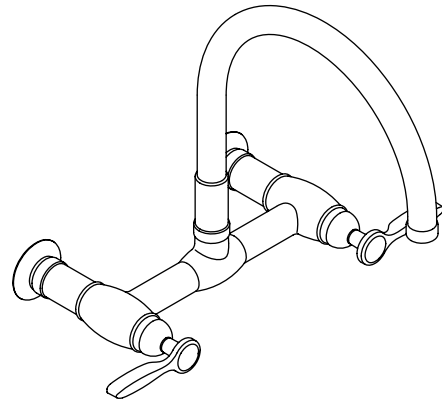


**KITCHEN SINK FAUCET
K-6132**

ADA

Features

- Metal construction
- Two quarter-turn washerless ceramic disc valves
- 360° swing spout
- For 8" (20.3 cm) centers
- 2.2 gallons (8.3 L) per minute maximum flow rate
- Lower flow aerator options are available (refer to the Kohler Price Book)
- Wall-mount installation
- ADA compliant handles
- 9" (22.9 cm) spout reach
- Traditional styling



Codes/Standards Applicable

Specified model meets or exceeds the following:

- ADA
- IAPMO/cUPC
- ASME A112.18.1/CSA B125.1
- NSF 61
- Energy Policy Act of 1992

Colors/Finishes

- CP: Polished Chrome
- Other: Refer to Price Book for additional colors/finishes

Specified Model

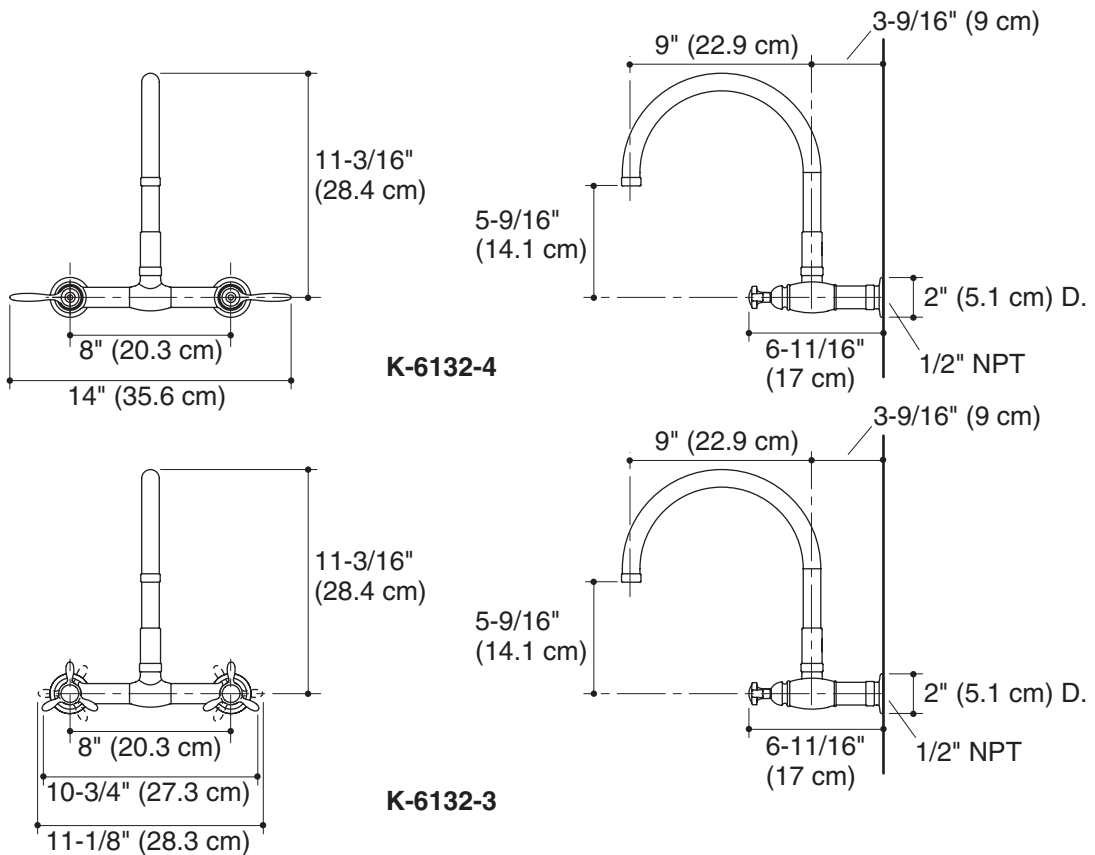
Model	Description	Colors/Finishes	
K-6132-3	Wall-mount kitchen sink faucet – tri handles	<input type="checkbox"/> CP	<input type="checkbox"/> Other ____
K-6132-4	Wall-mount kitchen sink faucet – lever handles (shown)	<input type="checkbox"/> CP	<input type="checkbox"/> Other ____

Product Specification

The two-handle kitchen sink faucet with traditional styling shall be constructed of metal. Faucet shall be for wall-mount installation. Faucet shall feature two quarter-turn washerless ceramic disc valves. Faucet shall feature a 9" (22.9 cm) spout reach, 360° swing spout, and ADA compliant handles. Faucet shall be for 8" (20.3 cm) centers. Faucet shall have a maximum flow rate of 2.2 gallons (8.3 L) per minute with lower flow aerator options available (refer to the Kohler Price Book). Faucet shall be Kohler Model K-____-____-____.

Installation Notes

Install this product according to the installation guide.



Product Diagram