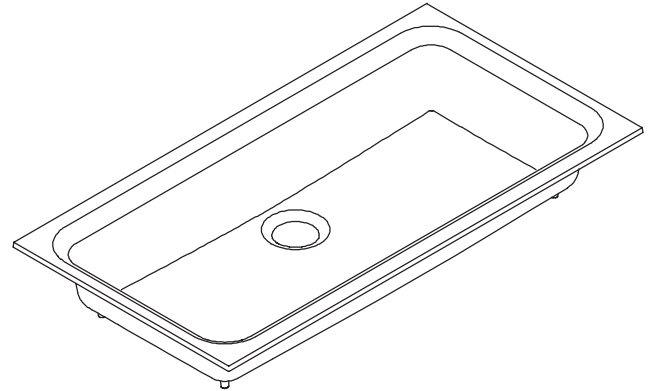


FEATURES

- 48" (121.9cm) x 25" (63.5cm)
- Cast iron
- Acid resistant enamel finish
- Tile-in
- Single basin



CODES/STANDARDS APPLICABLE

Specified model meets or exceeds the following:

- ASME/ANSI A112.19.1M
- IAPMO/UPC
- Canadian Standards Association (CSA)

COLORS/FINISHES

- 0 White
- Other Refer to Fixtures Price Book for additional colors

Accessories:

- CP Polished Chrome
- ST Stainless Steel
- NA None Applicable
- Other Refer to Price Book for additional finishes

SPECIFIED MODEL:

Model	Description	Colors/Finishes	
K-6606	Floor sink	<input type="checkbox"/> 0 White	<input type="checkbox"/> Other_____

Recommended Accessories			
K-8801	Duostrainer sink strainer (for countertop installation)	<input type="checkbox"/> CP	<input type="checkbox"/> Other_____
K-8807	Sink Strainer (for floor installation)	<input type="checkbox"/> CP	<input type="checkbox"/> Other_____
Optional Accessories			
K-6024	Wood grate		<input type="checkbox"/> NA
K-6028L	Bottom basin rack (left-side of drain)		<input type="checkbox"/> ST
K-6028R	Bottom basin rack (right-side of drain)		<input type="checkbox"/> ST

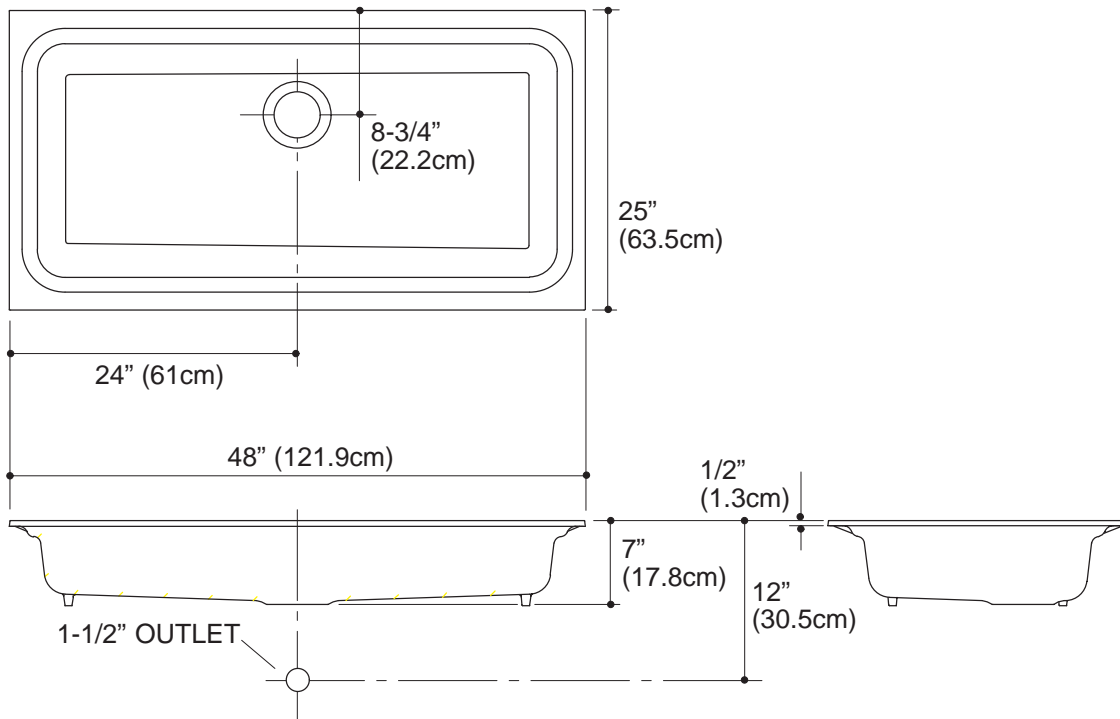
PRODUCT SPECIFICATION:

The tile-in sink shall be 48" (121.9cm) in length and 25" (63.5cm) in width. Sink shall be made of cast iron with acid resistant enamel finish. Sink shall be tile-in. Sink shall be single basin. Sink shall be Kohler Model K-6606-_____.

OCEANVIEW™

PRODUCT INFORMATION

Fixture*:		basin area	water depth
Sink		42-3/16" (107.2cm) x 18-3/8" (46.7cm)	6-3/8" (16.2cm)
Water capacity	20 gallons (75.7L)		
Drain hole	3-7/8" D. (9.8cm)		
* Approximate measurements for comparison only.			
Cutout, tile-in	47-1/2" (120.7cm) X 24-1/2" (62.2cm) with 1" (2.5cm) radius corners.		
Cutout, undercounter	44-3/8" (112.7cm) X 20-1/2" (52.1cm) with 2-7/8" (7.3cm) radius corners.		



116

PRODUCT DIAGRAM