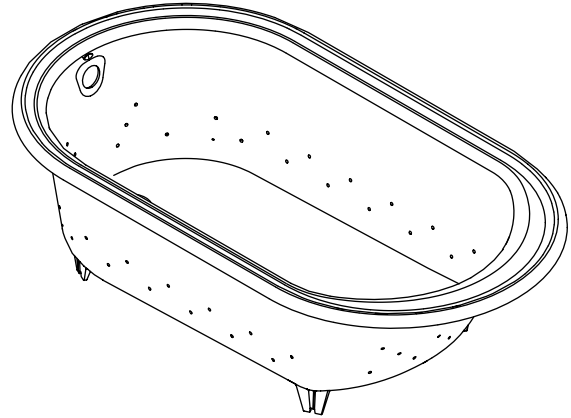


Features

- Cast iron with Safeguard® finish
- Blower motor with 300 W heater and electronic back-lit user control
- 43 BubbleMassage™ airjets
- 18 levels of airflow adjustability
- With Zones of Control™, surge, and automatic purge features
- 66" (167.6 cm) x 36" (91.4 cm) x 19-1/4" (48.9 cm)

5.5' (1.7 m) BUBBLEMASSAGE™ BATH K-712-G



Codes/Standards Applicable

Specified model meets or exceeds the following:

- ASME A112.19.1/CSA B45.2
- ASME A112.19.7M
- CSA C22.2 No 218.2
- UL 1795

Colors/Finishes

- 0: White
- CP: Polished Chrome
- NA: None applicable
- Other: Refer to Price Book for additional colors/finishes

Specified Model

Model	Description	Airjet Trim Color		Colors/Finishes	
K-712-G	5.5' (1.7 m) BubbleMassage bath	<input type="checkbox"/> CP	<input type="checkbox"/> Other _____	<input type="checkbox"/> 0	<input type="checkbox"/> Other _____
Recommended Accessories					
K-7103	Bath drain	<input type="checkbox"/> CP	<input type="checkbox"/> Other _____	<input type="checkbox"/> 0	<input type="checkbox"/> Other _____
K-7259	Toe tap bath drain	<input type="checkbox"/> CP	<input type="checkbox"/> Other _____	<input type="checkbox"/> 0	<input type="checkbox"/> Other _____
Optional Accessories					
K-1491	Removable pillow	<input type="checkbox"/> 0			<input type="checkbox"/> Other _____
K-1601	Removable footstop	<input type="checkbox"/> 0			<input type="checkbox"/> Other _____
K-1172	Adjustable feet			<input type="checkbox"/> NA	
K-1705	Remote control			<input type="checkbox"/> NA	
K-9498	3" (7.6 cm) keypad trim		<input type="checkbox"/> CP		<input type="checkbox"/> Other _____

Product Specification

The BubbleMassage bath shall be made of cast iron with Safeguard finish. Bath shall be 66" (167.6 cm) in length, 36" (91.4 cm) in width, and 19-1/4" (48.9 cm) in height. Bath shall have 43 BubbleMassage airjets. Bath shall have a blower motor with 300 W heater and electronic back-lit user control. Bath shall have 18 levels of airflow adjustability. Bath shall be with Zones of Control™, surge, and automatic purge features. Bath whirlpool shall be Kohler Model K-712-G____-____.

IRON WORKS®

Technical Information

Fixture*:				
Bathing well:				
Basin area, bottom	47-1/2" (120.7 cm) x 25" (63.5 cm)			
Basin area, top	55" (139.7 cm) x 29" (73.7 cm)			
Weight	500 lbs (227 kg)			
To overflow:				
Water depth	12-5/8" (32.1 cm)			
Capacity	64 gal (242.3 L)			
* Approximate measurements for comparison only.				
Included component:				
Cut-out template	88051-7			
Blower motor:	Heater	V	Hz	A
	300 W	220-240	50/60	3

Required Electrical Service

Dedicated circuit required, protected with Class A Ground-Fault Circuit-Interrupter (GFCI):	
Blower motor/control	220-240 V, 15 A, 50/60 Hz

Installation Notes

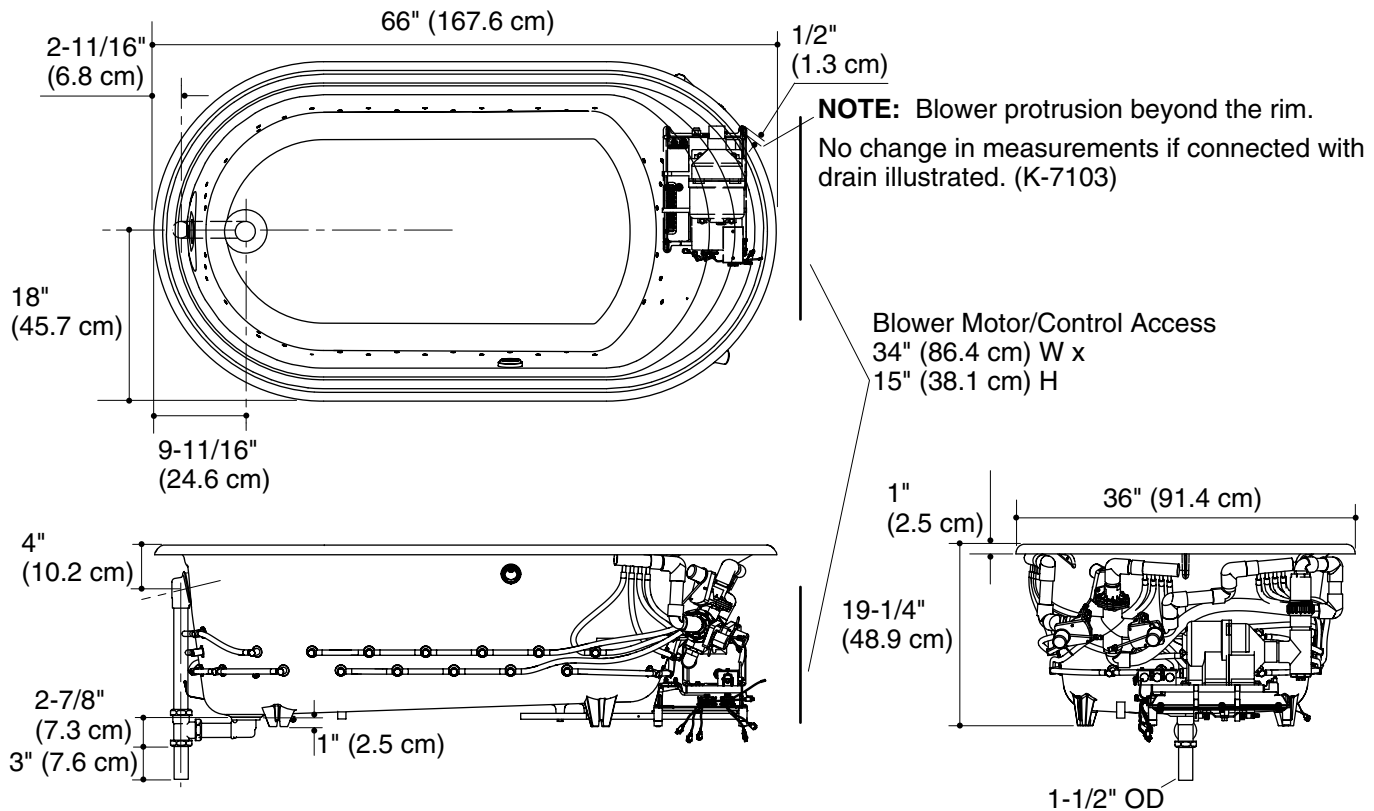
Install this product according to the installation guide.

NOTICE: If the blower motor and check valve are relocated, two access panels are required. Locate one access panel at the blower motor/control location and the other at the control box. Locate the blower motor and check valve together.

Floor support under bath must provide for a minimum of 65 lbs/square foot (314 kg/square meter) loading.

Splitting the deck/surround is recommended if installing into a deck.

Hot water supply should be 70% of capacity or greater. Installations will vary.



Product Diagram