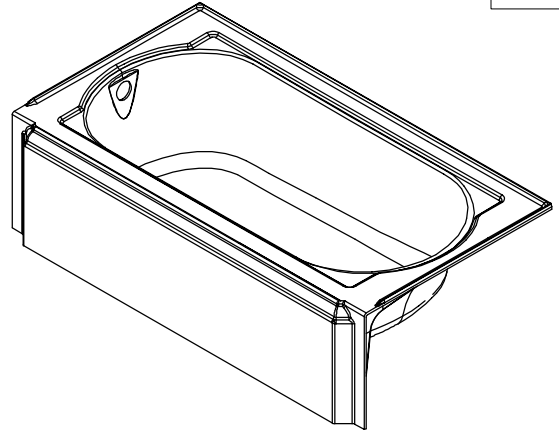


FEATURES

- 60" x 33-3/4" x 17-7/16"
- Cast iron with Safeguard® finish
- Left or right outlet
- ADA compliant when installed with seat at head end

K-721, K-722

ADA



CODES/STANDARDS APPLICABLE

Specified model meets or exceeds the following:

- ADA
- ASME/ANSI A112.19.1M
- CABO/ANSI A117.1
- IAPMO/UPC
- Canadian Standards Association (CSA)
- State of Massachusetts

COLORS/FINISHES

- 0 White
- Other Refer to Fixtures Price Book for additional colors

Accessories:

- CP Polished Chrome
- PB Polished Brass
- Other Refer to Faucets Price Book for additional finishes

SPECIFIED MODEL:

| Model | Description | Colors/Finishes | |
|-------|---------------------------|----------------------------------|-------------------------------------|
| K-721 | Bath with outlet at left | <input type="checkbox"/> 0 White | <input type="checkbox"/> Other_____ |
| K-722 | Bath with outlet at right | <input type="checkbox"/> 0 White | <input type="checkbox"/> Other_____ |

| Recommended Accessories | | | |
|-------------------------|-------|-----------------------------|---|
| K-7161-AF | Drain | <input type="checkbox"/> CP | <input type="checkbox"/> PB <input type="checkbox"/> Other_____ |

PRODUCT SPECIFICATION:

The bath shall be 60" in length, 33-3/4" in width, and 17-7/16" in height. Bath shall be made of enameled cast iron with Safeguard® finish. Bath shall have left or right outlet. Bath shall be ADA compliant when installed with seat at head end. Bath shall be Kohler Model K-_____-_____.

MEMOIRS™

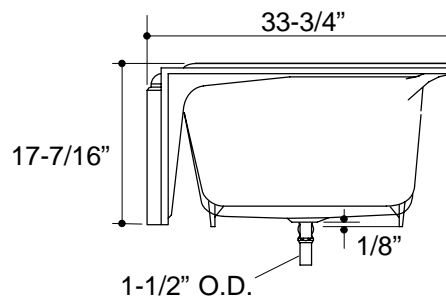
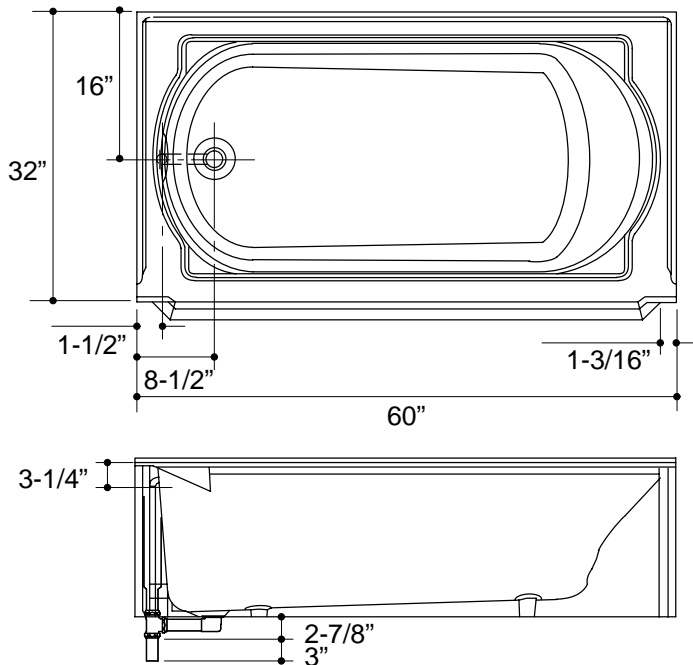
PRODUCT INFORMATION

| Fixture*: | basin area | top area | weight |
|--------------|-------------|-----------|----------|
| Bathing well | 45" x 23" | 54" x 25" | 350 lbs. |
| | water depth | capacity | |
| To overflow | 11-5/8" | 52 gal. | |

* Approximate measurements for comparison only.

Roughing-In Notes

No change in measurements if connected with drain illustrated.



316

PRODUCT DIAGRAM