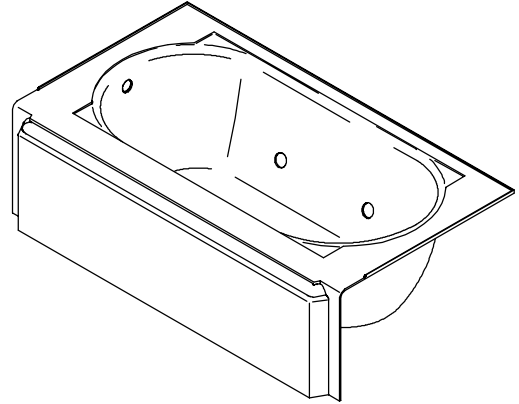


5' BATH WHIRLPOOL

K-723-H2, K-724-H2

FEATURES

- 60" (152.4cm) x 33-3/4" (85.7cm) x 17-7/16" (44.3cm)
- Cast iron with Safeguard® slip-resistant finish
- Left or right drain
- 1.5 hp variable speed pump with 1.5 kW heater, and back-lit user control
- 6 Flexjets
- UL Listed
- ADA compliant when installed with seat at head end
- LESS ALL TRIM



CODES/STANDARDS APPLICABLE

Specified model meets or exceeds the following:

- ASME/ANSI A112.19.1M
- ASME/ANSI A112.19.7M
- IAPMO/UPC
- Underwriters Laboratories (UL)
- ADA

COLORS/FINISHES

- 0 White
- Other Refer to Price Book for additional colors

Accessories:

- CP Polished Chrome
- PB Polished Brass
- Other Refer to Price Book for additional finishes

SPECIFIED MODEL:

Model	Description	Colors/Finishes	
K-723-H2	Bath whirlpool, left drain	<input type="checkbox"/> 0 White	<input type="checkbox"/> Other_____
K-724-H2	Bath whirlpool, right drain	<input type="checkbox"/> 0 White	<input type="checkbox"/> Other_____

Required Accessories			
K-9696	Jet trim kit	<input type="checkbox"/> CP	<input type="checkbox"/> PB <input type="checkbox"/> Other_____
Recommended Accessories			
K-7161-AF	Drain	<input type="checkbox"/> CP	<input type="checkbox"/> PB <input type="checkbox"/> Other_____
Optional Accessories			
K-1491	Pillow	<input type="checkbox"/> 0 White	<input type="checkbox"/> Other_____
K-1601	Footstop	<input type="checkbox"/> 0 White	<input type="checkbox"/> Other_____
K-1703	Remote control		<input type="checkbox"/> NA

PRODUCT SPECIFICATION:

The bath whirlpool shall be 60" (152.4cm) in length, 33-3/4" (85.7cm) in width, and 17-7/16" (44.3cm) in height. Bath whirlpool shall be made of cast iron with Safeguard® finish. Bath whirlpool shall have 6 Flexjets, 1.5 hp variable speed pump, 1.5 kW heater, and back-lit user control. Bath whirlpool shall be UL listed. Bath whirlpool shall be ADA compliant when installed with seat at head end. Bath whirlpool shall be less all trim. Bath whirlpool shall be Kohler Model K-_____-_____-_____.

PRODUCT INFORMATION

Fixture*:	basin area	top area	weight
Bathing well	45" (114.3cm) x 23" (58.4cm)	54" (137.2cm) x 25" (63.5cm)	390 lbs. (176.9kg)
	water depth	capacity	
To overflow	11-5/8" (29.5cm)	52 gal. (196.8L)	

* Approximate measurements for comparison only.

Pump	Heater	Voltage	Frequency	Amperage
1.5 HP	1.5 kW	240 V	50/60 Hz	11 A

REQUIRED ELECTRICAL SERVICE

Dedicated circuit required, protected with Class A Ground-Fault Circuit-Interrupter (GFCI) or Earth-Leakage Circuit-Breaker (ELCB):

Pump/control	220/240 V, 20 A, 50/60 Hz
--------------	---------------------------

INSTALLATION NOTES

Note: Pump protrusion beyond rim.

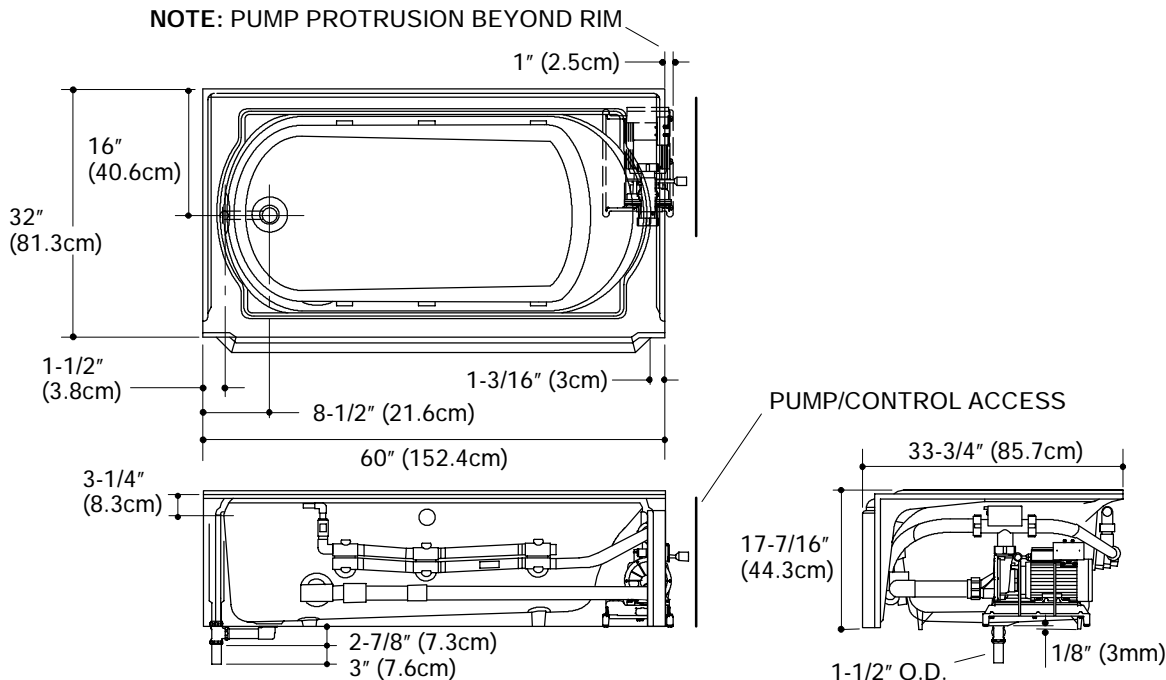
Install this product according to the installation guide.

Floor support under whirlpool must provide for a minimum of 1500 lbs. (680.4kg)

No change in measurements if connected with drain illustrated. (K-7161-AF or K-7161M-AF)

Minimum access panel:

Pump/control	30" (76.2cm) W x 15" (38.1cm) H	required
--------------	---------------------------------	----------



PRODUCT DIAGRAM