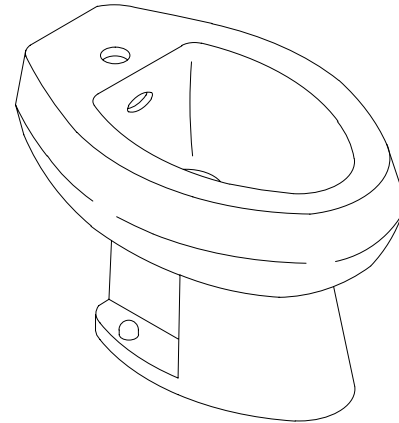


FEATURES

- Vitreous china
- Drilled for fixture-mounted, single-hole, over-the-rim bidet faucet
- For above or below the floor rough-in



CODES/STANDARDS APPLICABLE

Specified model meets or exceeds the following:

- ASME/ANSI A112.19.2M
- IAPMO/UPC
- Canadian Standards Association (CSA)

COLORS/FINISHES

- 0 White
- Other Refer to Fixtures Price Book for additional colors

Accessories:

- CP Polished Chrome
- PB Polished Brass
- Other Refer to Faucets Price Book for additional finishes

SPECIFIED MODEL:

Model	Description	Colors/Finishes		
K-4876	Bidet	<input type="checkbox"/> 0 White	<input type="checkbox"/> Other_____	
Recommended Accessories				
K-9018	Trap	<input type="checkbox"/> CP	<input type="checkbox"/> PB	<input type="checkbox"/> Other_____

PRODUCT SPECIFICATION:

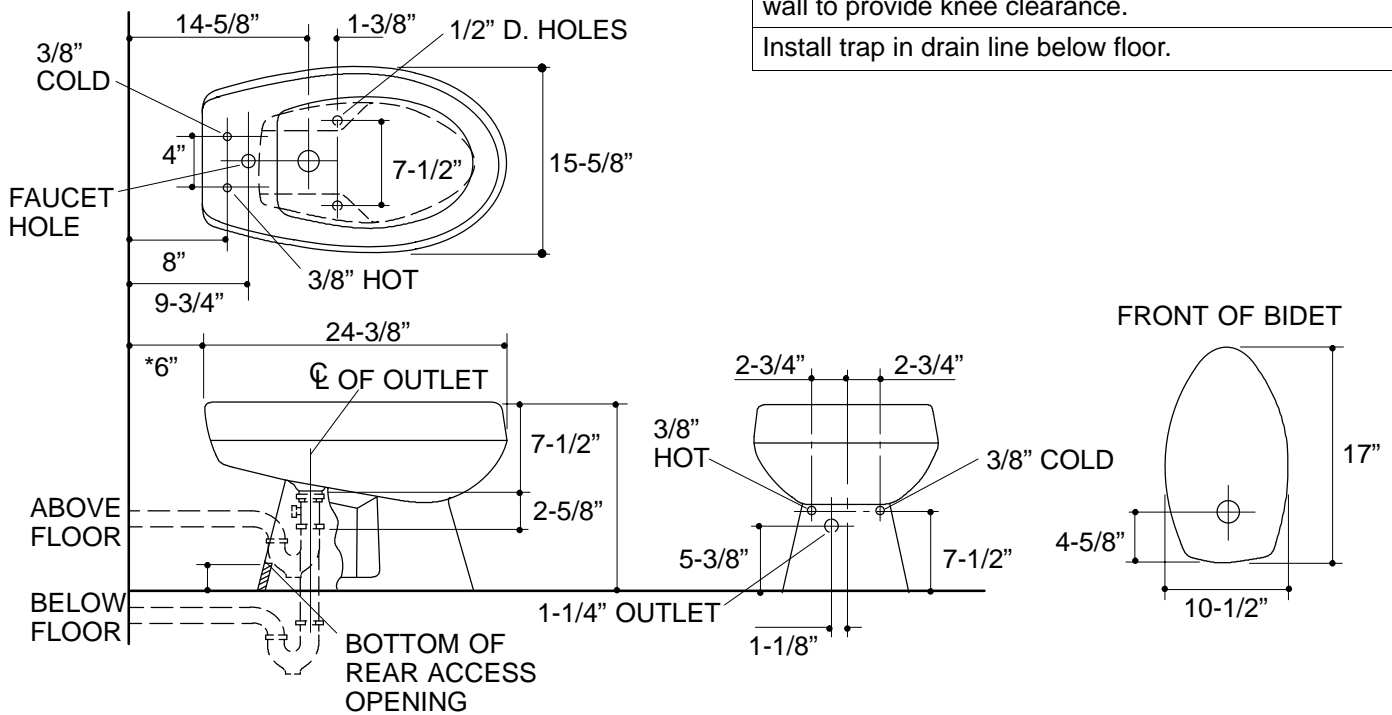
The bidet shall be made of vitreous china. Bidet shall be drilled for fixture-mounted, single-hole, over-the-rim bidet faucet. Bidet shall be for above or below the floor rough-in. Bidet shall be Kohler Model K-4876-_____.

AMARETTO™

PRODUCT INFORMATION

Fixture:	
Configuration	Faucet deck
Outlet	1-3/4" D.
Faucet hole	1-3/8" D.
Included Components:	
Floor screws and bolt caps	52049

Roughing-In Notes
*This 6" dimension is recommended minimum distance to wall to provide knee clearance.
Install trap in drain line below floor.



116

PRODUCT DIAGRAM