

### Features

- Washout
- 3/4" top spud
- 0.5 gpf (1.9 lpf) or 1.0 gpf (3.8 lpf).

### Material

- Vitreous china

### Recommended Accessories

- K-9000 P-Trap
- K-10675 WAVE DC 0.5 GPF Urinal Flushometer
- K-10676 WAVE DC 1.0 GPF Wshdwn Flushometer
- K-10958 Tripoint™ DC 0.5 GPF Urinal Flushometer
- K-10960 Tripoint™ DC 1.0 GPF Wshdwn Flushometer
- K-13518 Manual 1.0 GPF Wshdwn Flushometer
- K-13519 Manual 0.5 GPF Urinal Flushometer

### Components

Additional included component/s: 3/4" Inlet Spud, 1-1/2" Outlet Spud, Strainer, 1-12" Tailpiece, and Hanger (1 Required).



ADA

### Codes/Standards





ASME A112.19.2/CSA B45.1  
DOE - Energy Policy Act 1992  
ADA  
ICC/ANSI A117.1

### KOHLER® One-Year Limited Warranty

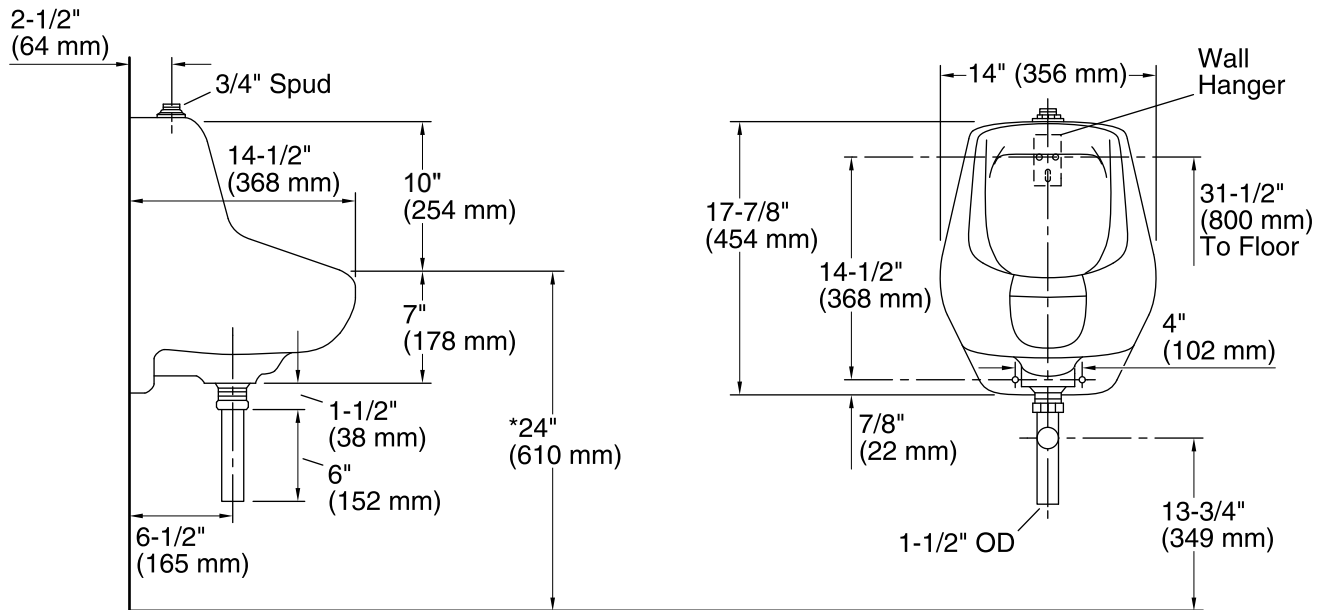
See website for detailed warranty information.

### Available Color/Finishes

*Color tiles intended for reference only.*

Color	Code	Description
	0	White
	96	Biscuit
	47	Almond
	7	Black Black™

\*Urinal complies with ADA requirement when rim is mounted no higher than 17" (432 mm) from finished floor



### Technical Information

All product dimensions are nominal.

Flush outlet technology: Washout

Spud size: 3/4", inlet, Top

Min. Water per Flush: 0.5 gal (1.9 L)

Max. Water per Flush: 1 gal (3.8 L)

Designed for the above water use when installed with a water-saving flushometer.

### Notes

Install this product according to the installation guide.

ADA compliant when installed to the specific requirements of these regulations.