

### UNDERCOUNTER UTILITY SINK K-6663

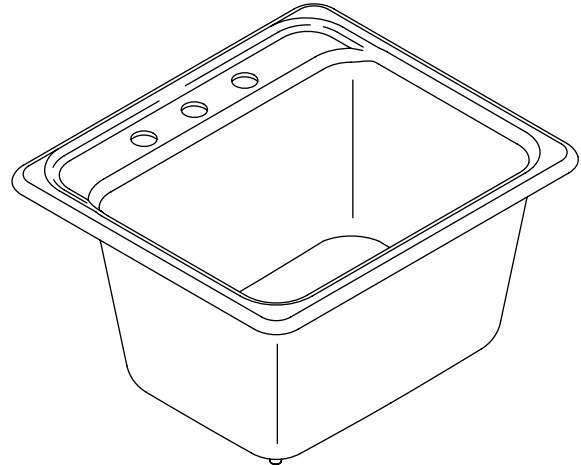
#### Features

- KOHLER cast iron
- Acid-resistant enamel finish
- Single compartment
- Undercounter
- 23" (58.4 cm) undermount sink kit included
- 1-hole (-1U), 2-hole (-2U), or 3-hole (-3U)
- 25" (63.5 cm) x 22" (55.9 cm)

#### Codes/Standards Applicable

Specified model meets or exceeds the following:

- IAPMO/UPC
- ASME A112.19.1



#### Colors/Finishes

- 0: White
- Other: Refer to Price Book for additional colors/finishes

#### Accessories

- CP: Polished Chrome

#### Specified Model

Model	Description	Colors/Finishes	
K-6663-1U	1-hole sink	<input type="checkbox"/> 0	<input type="checkbox"/> Other_____
K-6663-2U	2-hole sink	<input type="checkbox"/> 0	<input type="checkbox"/> Other_____
K-6663-3U	3-hole sink	<input type="checkbox"/> 0	<input type="checkbox"/> Other_____
<b>Recommended Accessories</b>			
K-9000	P-Trap	<input type="checkbox"/> CP	
<b>Optional Accessories</b>			
K-8801	Duostrainer® sink strainer	<input type="checkbox"/> CP	

#### Product Specification

The undercounter utility sink shall be 25" (63.5 cm) in length and 22" (55.9 cm) in width. Sink shall be made of cast iron with acid-resistant enamel finish. Sink shall be single compartment. Sink shall be 1-hole (-1), 2-hole (-2), or 3-hole (-3). Sink shall include 23" (58.4 cm) undermount sink kit. Sink shall be Kohler Model K-6663-\_\_\_\_\_-\_\_\_\_\_.

# GLEN FALLS™

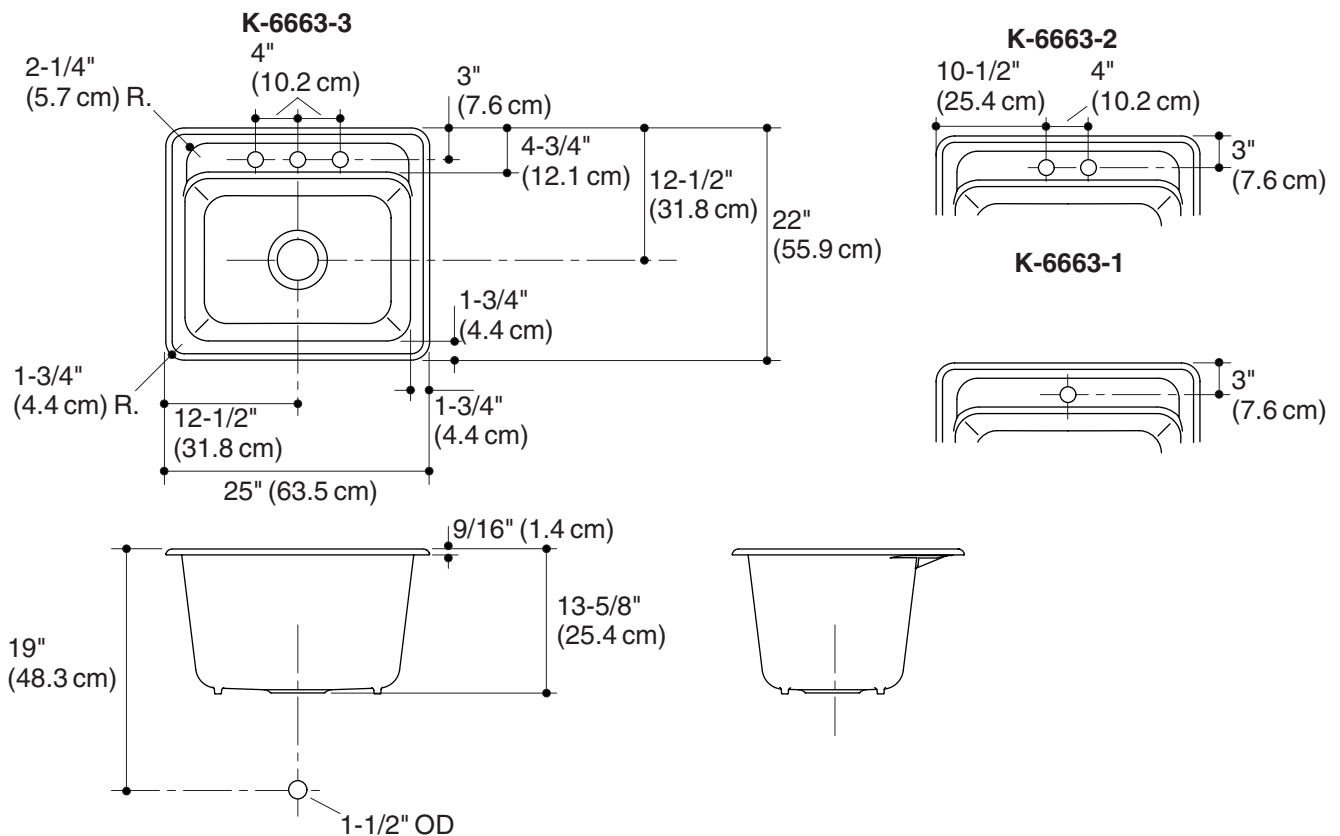
## Technical Information

Fixture*:	
Basin area	21-1/2" (54.6 cm) x 15-1/2" (39.4 cm)
Water depth	13" (33 cm)
Drain holes	3-5/8" (9.2 cm) D.
Faucet holes	2-3/8" (6 cm) D.
* Approximate measurements for comparison only.	

Included components:	
Cut-out template	1079983-7
23" (58.4 cm) undermount sink kit	1054375

## Installation Notes

Install this product according to the installation guide.



## Product Diagram