

Features

- Acrylic
- Reinforced with fiberglass (FRP)
- One-piece configuration
- Integral seat on left or right
- Drain hole on left or right
- For alcove installations
- Complements the Memoirs® Suite
- 48" (121.9 cm) x 36" (91.4 cm) x 21" (53.3 cm) [K-9486 and K-9488]
- 60" (152.4 cm) x 36" (91.4 cm) x 21" (53.3 cm) [K-9489 and K-9496]

Codes/Standards Applicable

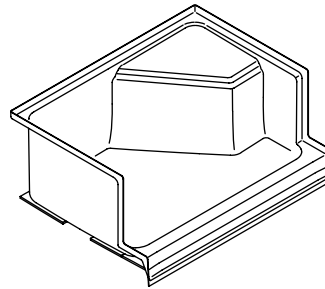
Specified model meets or exceeds the following:

- ANSI Z124.1.2
- IAPMO/UPC
- CSA B45.0
- CSA B45.5

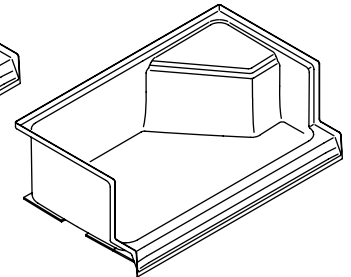
ACRYLIC SHOWER RECEPTOR WITH INTEGRAL SEAT

K-9486

ALSO K-9488, K-9489, K-9496



K-9486



K-9489

Colors/Finishes

- 0: White
- Other: Refer to Price Book for additional colors/finishes

Accessories

- CP: Polished Chrome
- PB: Vibrant® Polished Brass
- NA: None applicable
- Other: Refer to Price Book for additional colors/finishes

Specified Model

Model	Description	Colors/Finishes	
K-9486	48" (121.9 cm) receptor - integral seat at right, drain hole at left (shown)	<input type="checkbox"/> 0	<input type="checkbox"/> Other _____
K-9488	48" (121.9 cm) receptor - integral seat at left, drain hole at right	<input type="checkbox"/> 0	<input type="checkbox"/> Other _____
K-9489	60" (152.4 cm) receptor - integral seat at right, drain hole at left (shown)	<input type="checkbox"/> 0	<input type="checkbox"/> Other _____
K-9496	60" (152.4 cm) receptor - integral seat at left, drain hole at right	<input type="checkbox"/> 0	<input type="checkbox"/> Other _____

Required Accessories				
K-9132	Shower drain	<input type="checkbox"/> CP	<input type="checkbox"/> PB	<input type="checkbox"/> Other _____

Recommended and Optional tables are on page 2.

Product Specification

The acrylic shower receptor with integral seat shall be 48" (121.9 cm) in length, 36" (91.4 cm) in width, and 21" (53.3 cm) in height [K-9486, K-9488] or 60" (152.4 cm) in length, 36" (91.4 cm) in width, and 21" (53.3 cm) in height [K-9489, K-9496]. Shower receptor shall be reinforced with fiberglass (FRP), one-piece configuration, and for alcove installations. Shower receptor shall be available with integral seat on left and drain hole on right or integral seat on right and drain hole on left. Shower receptor shall complement the Memoirs® Suite. Shower receptor shall be Kohler Model K-_____-_____.

MEMOIRS®

Recommended Accessories

K-1708	7 kW Fast-Response™ steam generator [K-9486, K-9488]	<input type="checkbox"/> NA
K-1733	9 kW Fast-Response™ steam generator [K-9489, K-9496]	<input type="checkbox"/> NA

Optional Accessories

Refer to the Fixtures Price Book for shower door selections, glass options, and color information.

Technical Information

Fixture:	
Weight	70 lbs (31.8 kg) for 48" (121.9 cm) models 94 lbs (42.6 kg) for 60" (152.4 cm) models
Configuration	one-piece
Drain hole	3-3/8" (8.6 cm) D.

Installation Notes

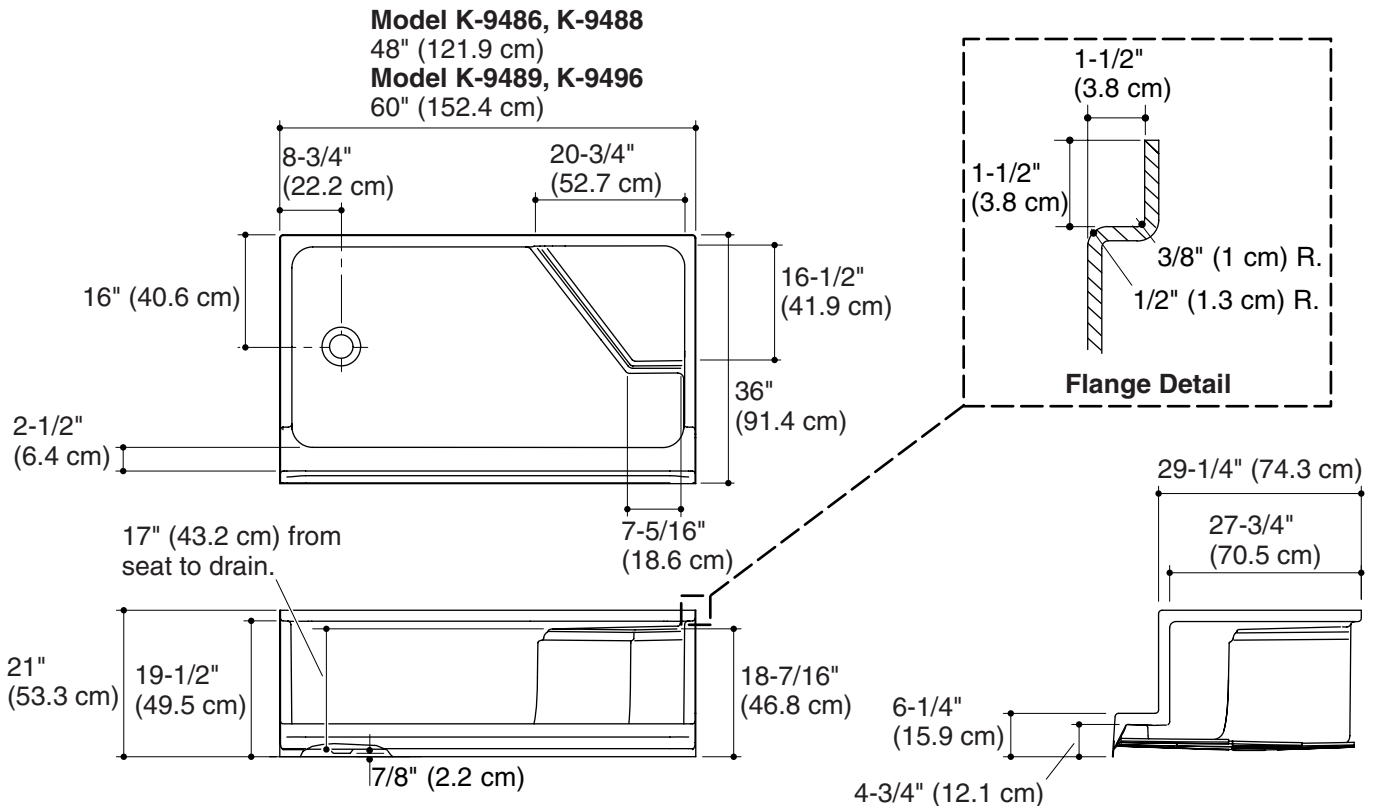
Install this product according to the installation guide.

Shimming may be required to level the fixture.

Shimming may be required between the stud frame and the fixture.

The stud opening tolerance is +1/4" (6 mm), -0" (0 mm).

When fire rated construction is specified, dimensions are to the inside of the fire-rated wall.



Product Diagram