

**Features**

- Brass construction
- Deck-mount
- Lever handle(s)

**BATH/SHOWER FAUCET TRIM**

**K-T13133**

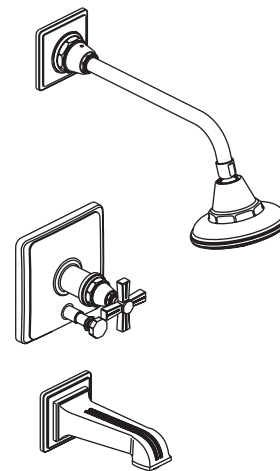
ALSO K-13136, K-13139

ADA

**Codes/Standards Applicable**

Specified model meets or exceeds the following:

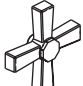
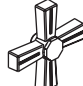
- ASME A112.18.1
- CSA B125
- IAPMO/UPC



**Colors/Finishes**

- CP: Polished Chrome
- Other: Refer to Price Book for additional colors/finishes

**Specified Model**

Model	Description	 ADA	 ADA
K-T13133-3A*	Bath and shower diverter trim with plain cross handles, with plain spout	<input type="checkbox"/> CP <input type="checkbox"/> Other ____	
K-T13133-3B*	Bath and shower diverter trim with grooved cross handles, with grooved spout		<input type="checkbox"/> CP <input type="checkbox"/> Other ____



\* Requires either K-305-K or K-305-KS valve

Optional Accessories		Colors/Finishes	
K-13139-A	Wall-mount bath spout, plain	<input type="checkbox"/> CP	<input type="checkbox"/> Other ____
K-13139-B	Wall-mount bath spout, grooved	<input type="checkbox"/> CP	<input type="checkbox"/> Other ____
K-13136	Shower arm and flange, without showerhead	<input type="checkbox"/> CP	<input type="checkbox"/> Other ____

**Product Specification**

Rite-Temp pressure-balancing single-control bath and shower faucet trim shall be of metal construction. Bath and shower trim shall include showerhead with arm and flange, 6-7/8" (17.5 cm) spout with NPT connection, and faceplate with handle and diverter button. Faucet trim shall be K-\_\_\_\_-\_\_\_\_-\_\_\_\_ and Rite-Temp valve shall be K-305-\_\_\_\_-NA.

# PINSTRIBE™

Required Accessory			
K-305-K	Rite-Temp valve, with diverter, without stops	<input type="checkbox"/> NA	
K-305-KS	Rite-Temp valve, with diverter, with stops		<input type="checkbox"/> NA

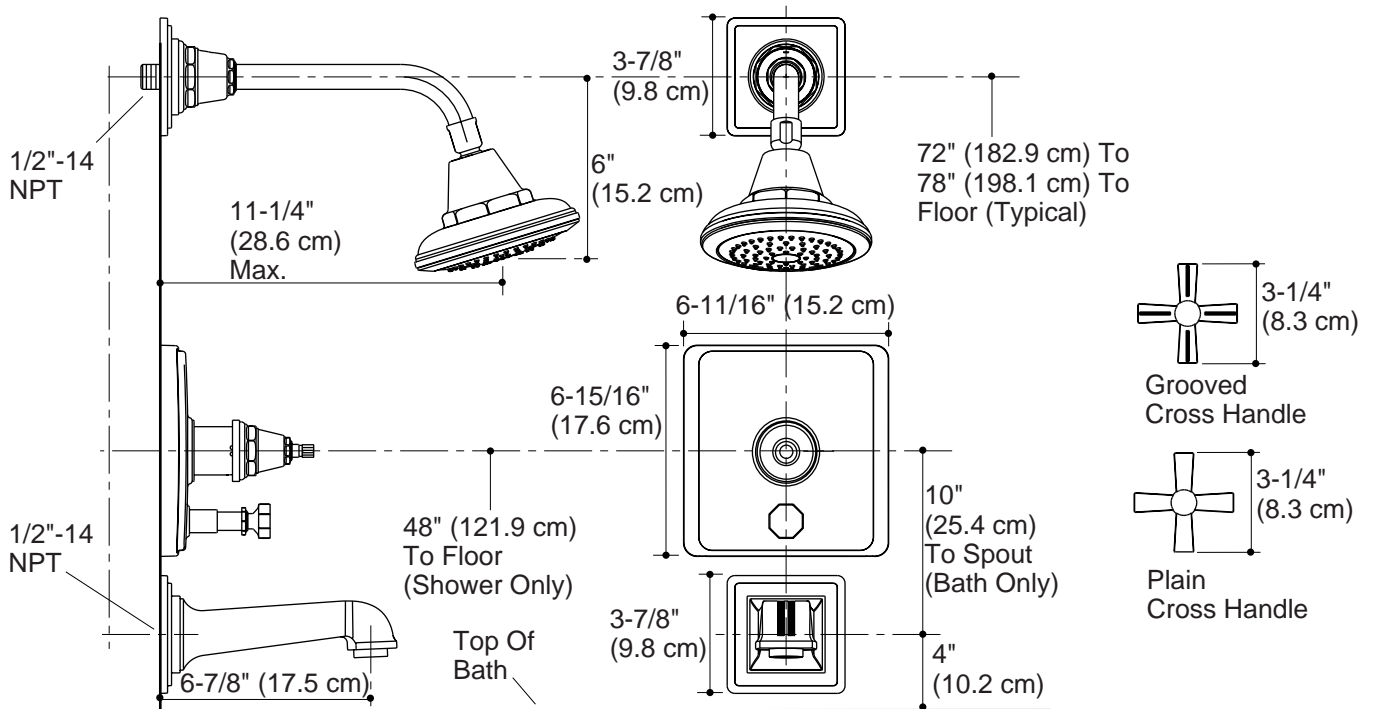
## Installation Notes

Install this product according to the installation guide.

Avoid cross-flow conditions. Do not install shut-off device on either valve outlet.

Cap shower outlet if deck-mount spout, diverter, or handshower is connected to spout outlet.

Install straight pipe or tube drop of 7" (17.8 cm) to 18" (45.7 cm) with single elbow between valve and wall-mount spout.



## Product Diagram