

**FAUCET  
K-T14413**

**ALSO K-T14415, K-T14417**

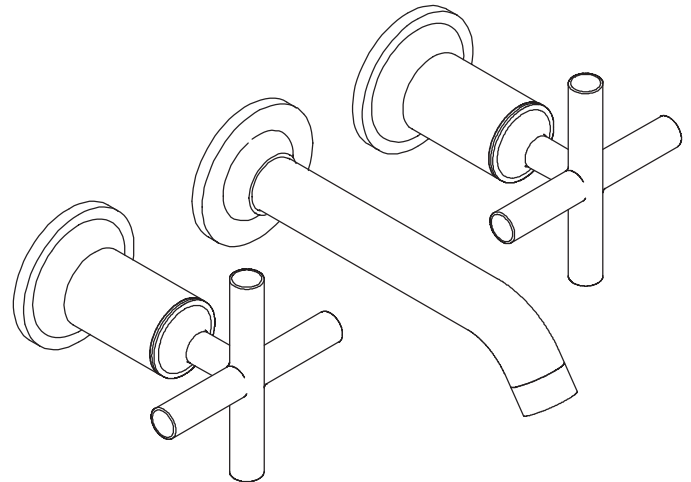
**FEATURES**

- Dual control wall mounted faucet
- Brass construction
- 2.2 gallons (8.3L) per minute
- Cross and lever handles

**CODES/STANDARDS APPLICABLE**

Specified model meets or exceeds the following:



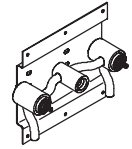
- ASME/ANSI A112.18.1M
- CSA B125
- Energy Policy Act of 1992
- IAPMO/UPC
- NSF 61



**COLORS/FINISHES**

- CP Polished Chrome
- Other Refer to Faucets Price Book for additional finishes

**SPECIFIED MODEL:**

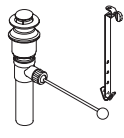

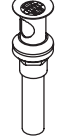
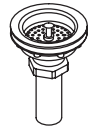
Model	Description	 <span style="border: 1px solid black; padding: 2px;">ADA</span>	 <span style="border: 1px solid black; padding: 2px;">ADA</span>
K-T14413-3	Purist Cross Handles With a 6-1/4" (15.2cm) 35° Spout (shown)	<input type="checkbox"/> CP <input type="checkbox"/> Other_____	
K-T14413-4	Purist Lever Handles With a 6-1/4" (15.2cm) 35° Spout		<input type="checkbox"/> CP <input type="checkbox"/> Other_____
K-T14415-3	Purist Cross Handles With a 8-1/4" (20.3cm) 35° Spout	<input type="checkbox"/> CP <input type="checkbox"/> Other_____	
K-T14415-4	Purist Lever Handles With a 8-1/4" (20.3cm) 35° Spout		<input type="checkbox"/> CP <input type="checkbox"/> Other_____
K-T14417-3	Purist Cross Handles With a 10-1/4" (25.4cm) 35° Spout	<input type="checkbox"/> CP <input type="checkbox"/> Other_____	
K-T14417-4	Purist Lever Handles With a 10-1/4" (25.4cm) 35° Spout		<input type="checkbox"/> CP <input type="checkbox"/> Other_____
<b>Required Accessory</b>			
K-410-K	Wall-Mount Valve		<input type="checkbox"/> NA

Optional Accessories on Page 2.

**PRODUCT SPECIFICATION:**

Dual-control wall-mount faucet shall be of brass construction. Product shall include cross or lever handle. Trim shall be Kohler Model K-T\_\_\_\_\_ - \_\_\_\_\_ - \_\_\_\_\_ with K-410-K-NA valve.

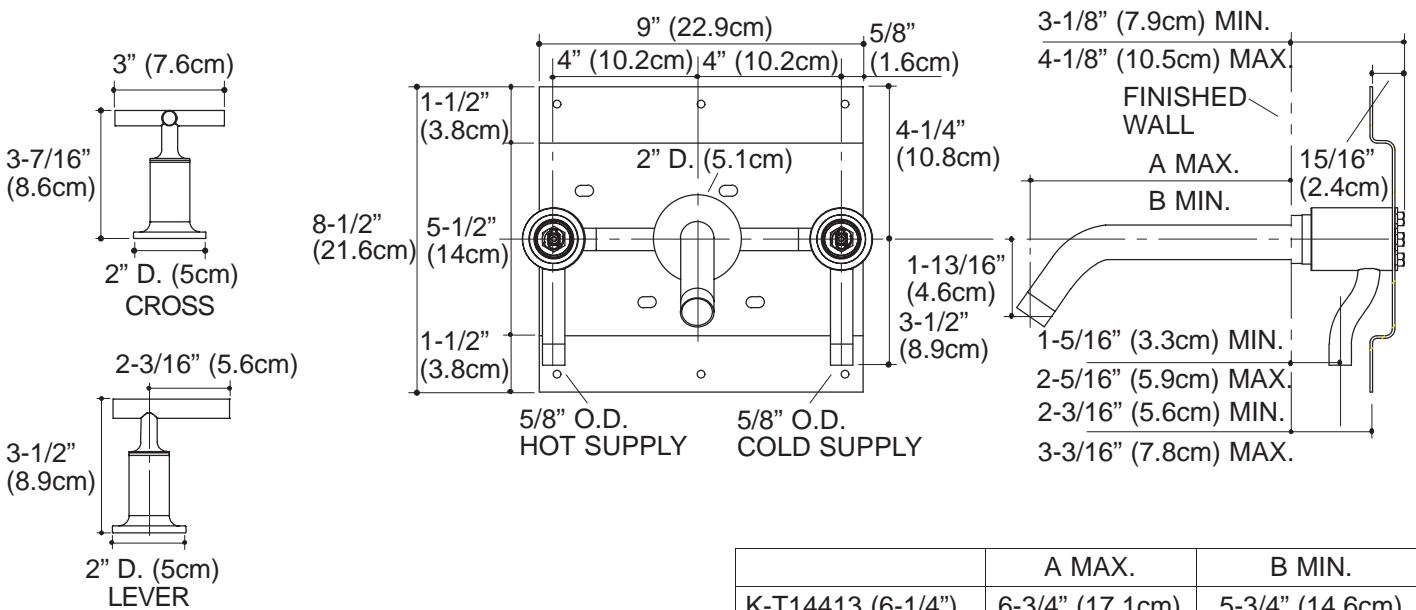
# PURIST™

Optional Accessories					
K-7702	Pop-Up Lavatory Drain	<input type="checkbox"/> CP			
K-7710	Lavatory Drain		<input type="checkbox"/> CP		
K-7715	Lavatory Drain			<input type="checkbox"/> CP	
K-8801	Duostrainer Sink Strainer				<input type="checkbox"/> CP <input type="checkbox"/> Other_____

## INSTALLATION NOTES

1-1/2" (3.8cm) to 6" (15.2cm) minimum must be maintained between bottom of spout and top of the fixture rim.

Three 1-1/2" D. (3.8cm) cut-out holes required for spout and handle.



## PRODUCT DIAGRAM