

Features

- Metal construction
- Front seal plate assembly
- Handle assembly

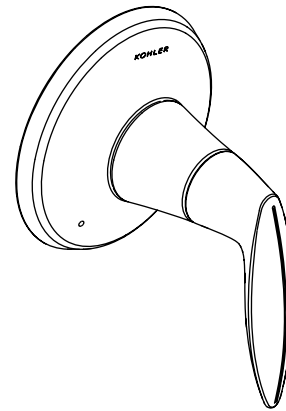
**TRANSFER VALVE TRIM
K-T45121**

ADA **CSA B651** **OBC**

Codes/Standards Applicable

Specified model meets or exceeds the following:

- ADA
- ICC/ANSI A117.1
- CSA B651
- OBC
- ASME A112.18.1/CSA B125.1



Colors/Finishes

- CP: Polished Chrome
- Other: Refer to Price Book for additional colors/finishes

Accessories

- NA: None applicable

Specified Model

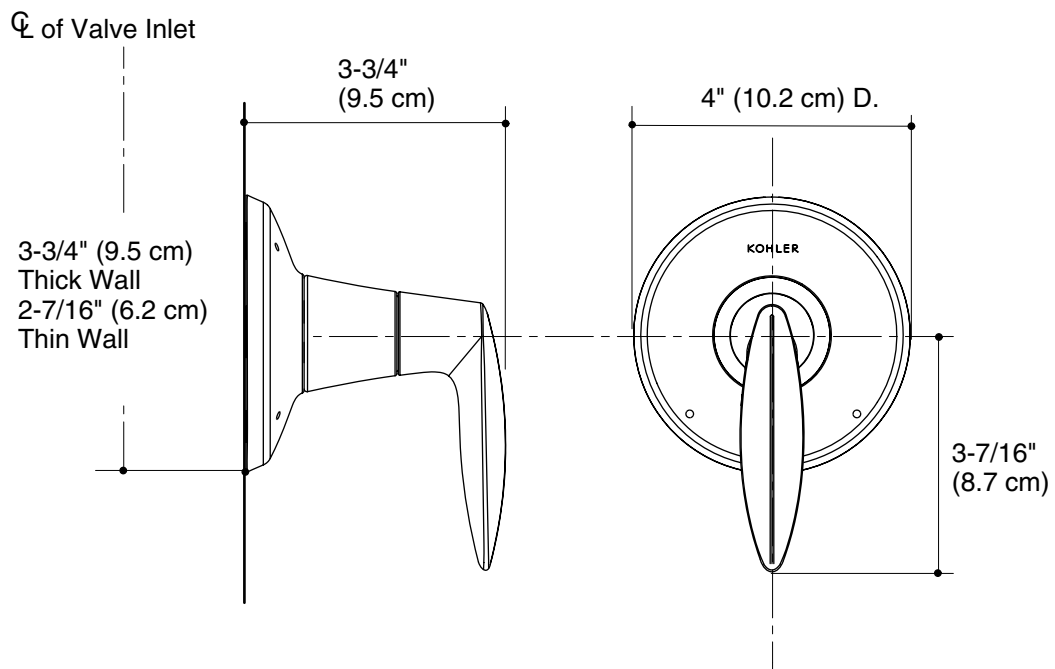
Model	Description	Colors/Finishes	
K-T45121-4	Transfer valve trim	<input type="checkbox"/> CP	<input type="checkbox"/> Other
Required Accessories			
K-672-K	3/4" transfer valve	<input type="checkbox"/> NA	

Product Specification

Transfer valve trim shall be made of metal construction. Trim shall include front seal plate assembly and handle assembly. Trim shall be Kohler Model K-T45121-4-____ and valving shall be K-672-K-NA.

Installation Notes

Install this product according to the installation guide.



Product Diagram