

**BATH FAUCET TRIM**  
**K-T469**  
**ALSO K-301-K**

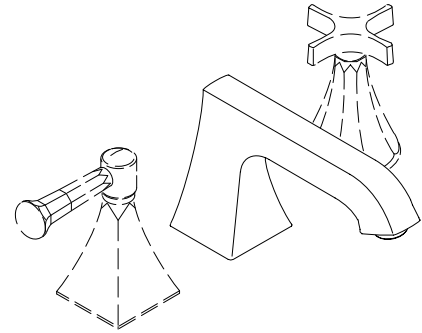
**FEATURES**

- Brass construction
- Deck-mount
- 5" high-arch non-diverter spout with slip-fit connection
- Variety of handle style options

**CODES/STANDARDS APPLICABLE**

Specified model meets or exceeds the following:





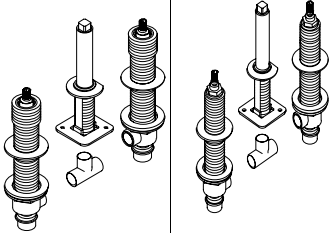
- ASME/ANSI A112.18.1M
- CSA International B125
- IAPMO/UPC listed



**COLORS/FINISHES**

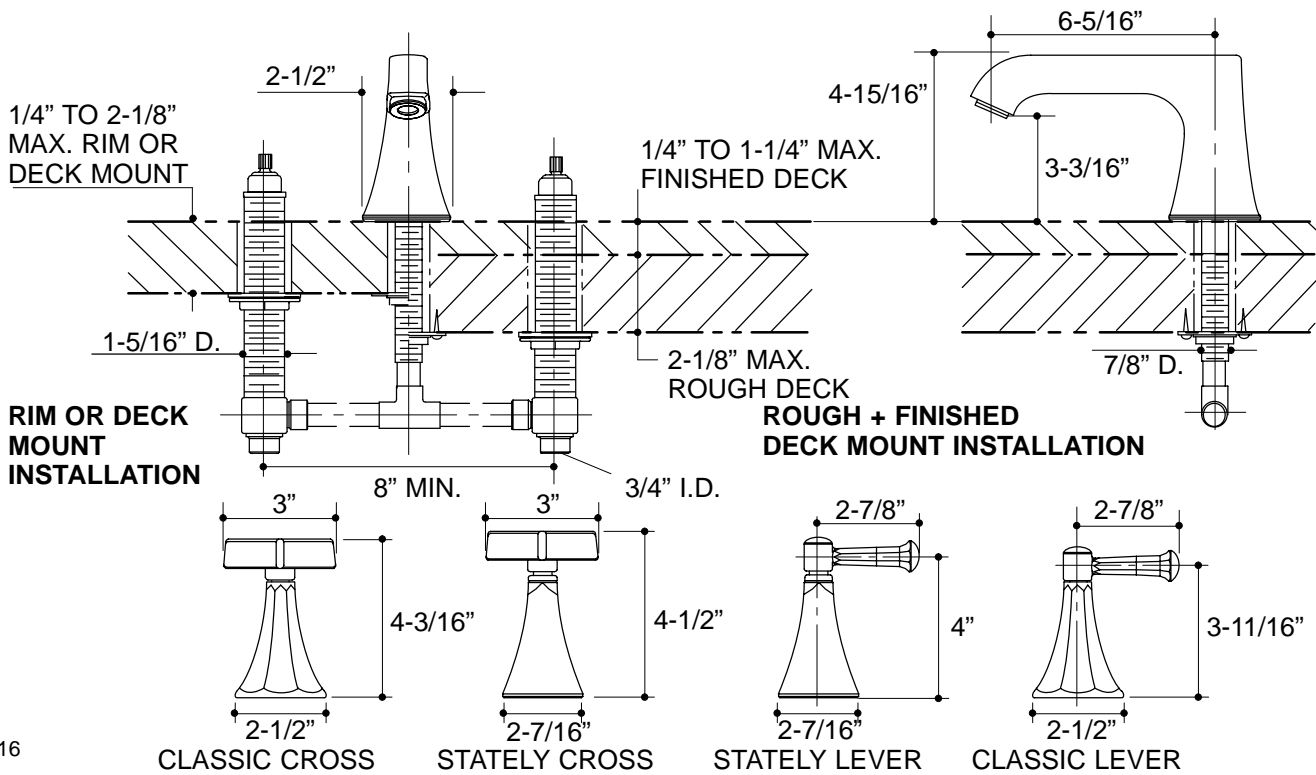
- CP Polished Chrome
- PB Polished Brass
- Other Refer to Faucets Price Book for additional finishes

**SPECIFIED MODEL:** For complete faucet, both faucet trim and valve system must be specified.

Model	Description			ADA
K-T469-3C	With Classic Cross Handles	<input type="checkbox"/> CP <input type="checkbox"/> PB <input type="checkbox"/> Other_____		
K-T469-4C	With Classic Lever Handles		<input type="checkbox"/> CP <input type="checkbox"/> PB <input type="checkbox"/> Other_____	
Model	Description			ADA
K-T469-3S	With Stately Cross Handles	<input type="checkbox"/> CP <input type="checkbox"/> PB <input type="checkbox"/> Other_____		
K-T469-4S	With Stately Lever Handles		<input type="checkbox"/> CP <input type="checkbox"/> PB <input type="checkbox"/> Other_____	
<b>Required Accessory</b>				
K-300-K	1/2" High-Flow Ceramic Disc Valve System		<input type="checkbox"/> NA	
K-301-K	3/4" High-Flow Ceramic Disc Valve System			<input type="checkbox"/> NA

**PRODUCT SPECIFICATION:**

Two-handle deck-mount high-flow bath faucet trim shall be of brass construction. Product shall include 5" high-arch non-diverter spout with slip-fit connection, and handles. Faucet trim shall be Kohler Model K-T469-\_\_\_\_\_-\_\_\_\_\_-\_\_\_\_\_- and valve system shall be Kohler Model K-\_\_\_\_\_-K-NA.



316

**PRODUCT DIAGRAM**