

Features

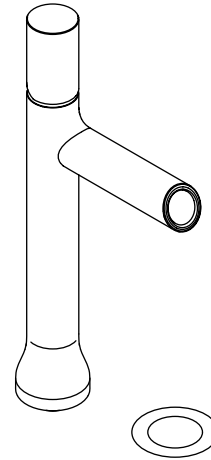
- Brass construction
- One-piece, self-contained ceramic disc valve allows both volume and temperature control
- Temperature memory allows faucet to be turned on and off at any temperature setting
- Flexible connections for easy installation
- Single-hole mounting
- Cylindrical handle
- Touch-activated drain with tailpiece and overflow
- 4-13/16" (12.2 cm) spout reach
- 1.5 gpm (5.7 lpm) maximum flow rate

Codes/Standards Applicable

Specified model meets or exceeds the following at date of manufacture:

- ASME A112.18.1/CSA B125.1
- NSF 61
- All applicable US Federal and State material regulations

**SINGLE-CONTROL LAVATORY FAUCET
K-8990**



Colors/Finishes

- CP: Polished Chrome
- Other: Refer to Price Book for additional colors/finishes

Specified Model

Model	Description	Description	
K-8990-7	Single-control lavatory faucet	<input type="checkbox"/> CP	<input type="checkbox"/> Other _____

Product Specification

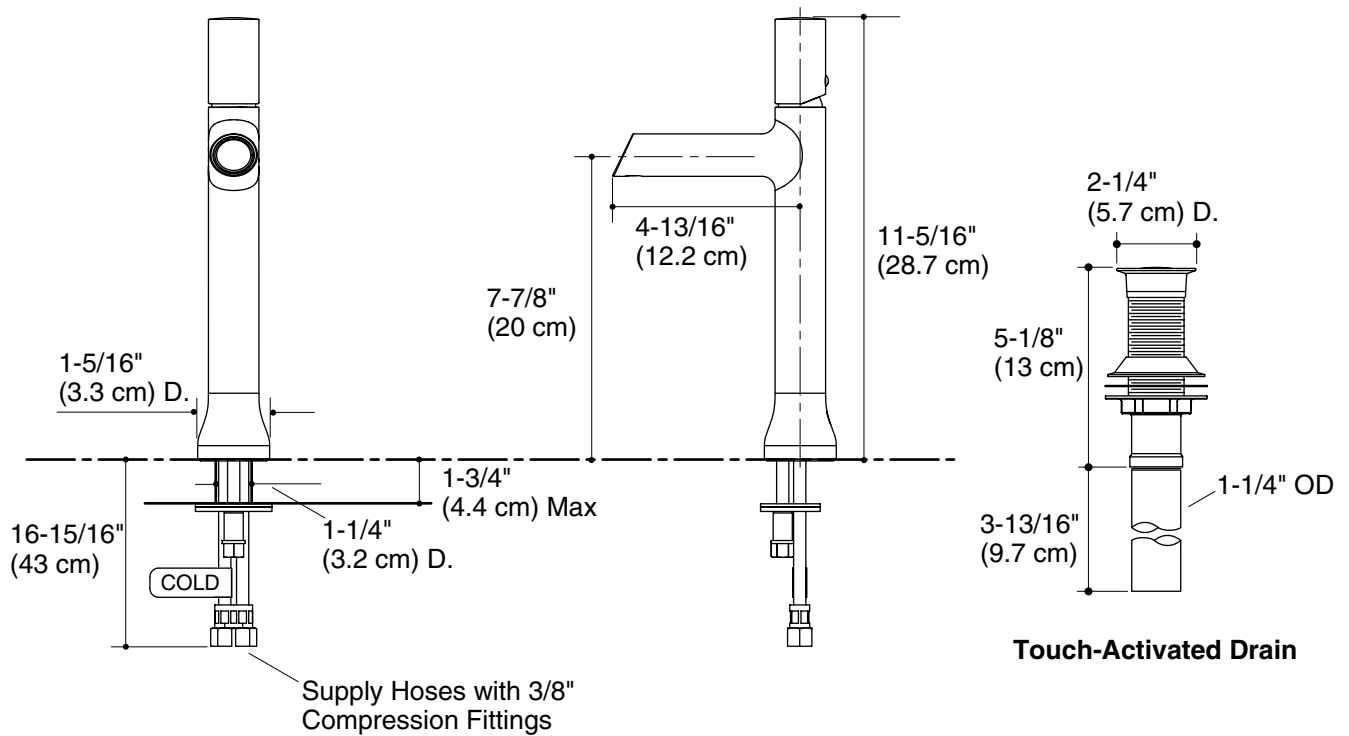
The single-control lavatory faucet shall be made of brass construction. Product shall have a maximum flow rate of 1.5 gallons (5.7 liters) per minute. Product shall have a one-piece, self-contained ceramic disc valve, allowing both volume and temperature control. Product shall feature temperature memory, allowing the faucet to be turned on and off at any temperature setting. Product shall be for single-hole mounting. Product shall feature a 4-13/16" (12.2 cm) spout reach, a cylindrical handle, flexible connections for easy installation, and a touch-activated drain with tailpiece and overflow. Faucet shall be Kohler Model K-8990-7-_____.

Technical Information

Included components:	
Drain	1032297

Installation Notes

Install this product according to the installation guide.



Product Diagram