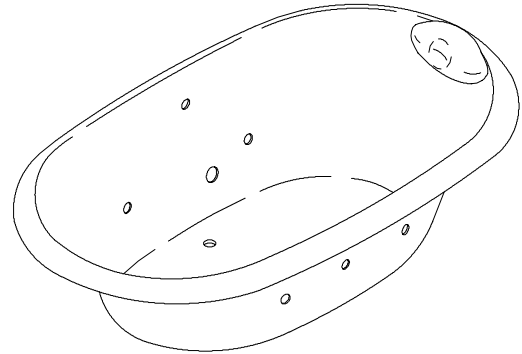


K-702-H2, K-702-N1

FEATURES

- 72" (182.9cm) x 42" (106.7cm) x 21-3/16" (53.8cm)
- Cast iron with Safeguard® slip-resistant finish
- K-702-N1 - 2 hp variable speed pump with 1.5 kW heater, back-lit user control, and pulsating neckjets pillow
- K-702-H2 - 1.5 hp variable speed pump with 1.5 kW heater, and back-lit user control
- 5 Flexjets
- UL Listed
- LESS ALL TRIM



CODES/STANDARDS APPLICABLE

Specified model meets or exceeds the following:

- ASME/ANSI A112.19.1M
- ASME/ANSI A112.19.7M
- IAPMO/UPC
- Underwriters Laboratories (UL)

COLORS/FINISHES

- 0 White
- Other Refer to Price Book for additional colors

Accessories:

- CP Polished Chrome
- PB Polished Brass
- Other Refer to Price Book for additional finishes
- NA None Applicable

SPECIFIED MODEL:

Model	Description	Colors/Finishes	
K-702-H2	Bath whirlpool	<input type="checkbox"/> 0 White	<input type="checkbox"/> Other _____
K-702-N1	Bath whirlpool with neckjets and pillow (shown)	<input type="checkbox"/> 0 White	<input type="checkbox"/> Other _____

Required Accessories				
K-9695	Jet trim kit	<input type="checkbox"/> CP	<input type="checkbox"/> PB	<input type="checkbox"/> Other _____
Recommended Accessories				
K-7158	Drain	<input type="checkbox"/> CP	<input type="checkbox"/> PB	<input type="checkbox"/> Other _____
Optional Accessories				
K-1491	Pillow	<input type="checkbox"/> 0 White	<input type="checkbox"/> Other _____	
K-1601	Footstop	<input type="checkbox"/> 0 White	<input type="checkbox"/> Other _____	
K-1172	Adjustable feet	<input type="checkbox"/> NA		
K-1703	Remote control (for K-702-H2) OR	<input type="checkbox"/> NA		
K-1705	Remote control (for K-702-N1)	<input type="checkbox"/> NA		

PRODUCT SPECIFICATION:

The bath whirlpool shall be 72" (182.9cm) in length, 42" (106.7cm) in width, and 21-3/16" (53.8cm) in height. Bath whirlpool shall be made of cast iron with Safeguard® finish. K-702-N1 bath whirlpool shall have 5 Flexjets, 2 hp variable speed pump, 1.5 kW heater, back-lit user control, and pulsating neckjets with pillow. K-702-H2 bath whirlpool shall have 5 Flexjets, 1.5 hp variable speed pump, 1.5 kW heater, and back-lit user control. Bath whirlpool shall be UL listed. Bath whirlpool shall be less all trim. Bath whirlpool shall be Kohler Model K-702-_____-_____-_____.

PRODUCT INFORMATION

Fixture*:	basin area	top area	weight
Bathing well	44" (111.8cm) x 28" (71.1cm)	60" (152.4cm) x 32" (81.3cm)	555 lbs. (251.7kg)
	water depth	capacity	
To overflow	15" (38.1cm)	82 gal. (310.4L)	

* Approximate measurements for comparison only.

Product	Pump	Heater	Voltage	Frequency	Amperage
Neckjets	2 HP	1.5 kW	240 V	50/60 Hz	15 A
w/o Neckjets	1.5 HP	1.5 kW	240 V	50/60 Hz	11 A

REQUIRED ELECTRICAL SERVICE

Dedicated circuit required, protected with Class A Ground-Fault Circuit-Interrupter (GFCI) or Earth-Leakage Circuit-Breaker (ELCB):

Pump/control	220/240 V, 20 A, 50/60 Hz
--------------	---------------------------

INSTALLATION NOTES

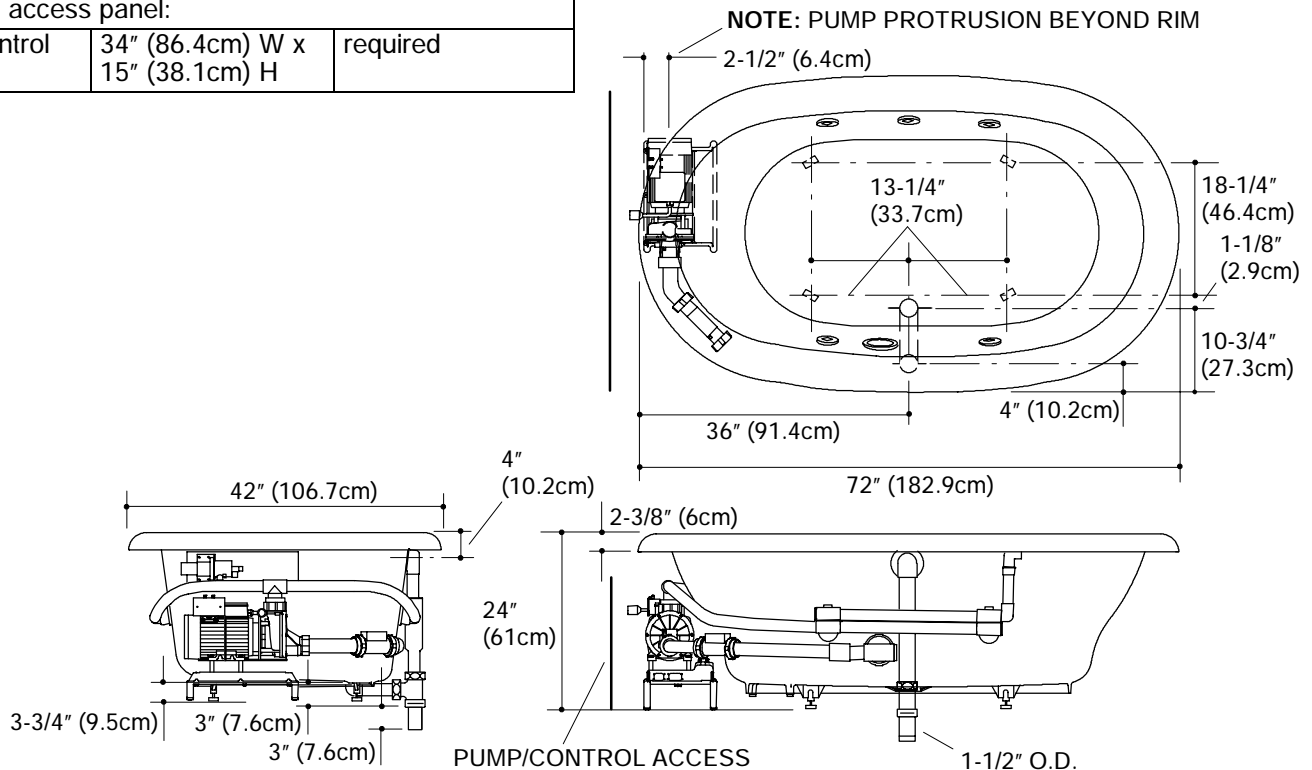
Note: Pump protrusion beyond rim.

Install this product according to the installation guide.

Floor support under whirlpool must provide for a minimum of 2000 lbs. (907.2kg)

Hot water supply should be 70% of capacity or greater. Installations will vary.

No change in measurements if connected with drain illustrated. (K-7158 or K-7158M)		
Drop-in cut-out	70-1/2" (179.1cm) x 40-1/2" (102.9cm)	
Cut-out template	106594-7	
Minimum access panel:		
Pump/control	34" (86.4cm) W x 15" (38.1cm) H	required



PRODUCT DIAGRAM