

**FEATURES**

- Brass construction
- Deck/rim-mount
- 6-7/8" (17.5cm) high-arch non-diverter spout with slip-fit connection
- Lever handles

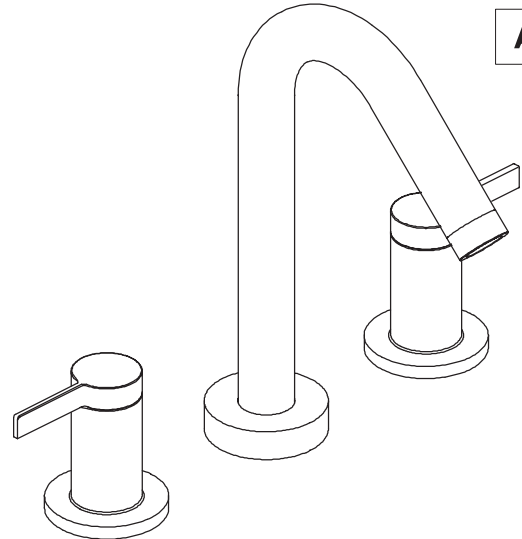
**CODES/STANDARDS APPLICABLE**

Specified model meets or exceeds the following:

- ASME/ANSI A112.18.1M
- CSA B125
- IAPMO/UPC

**BATH FAUCET TRIM**  
**K-T954-4**  
**ALSO K-300-K, K-301-K,**

**ADA**



**COLORS/FINISHES**

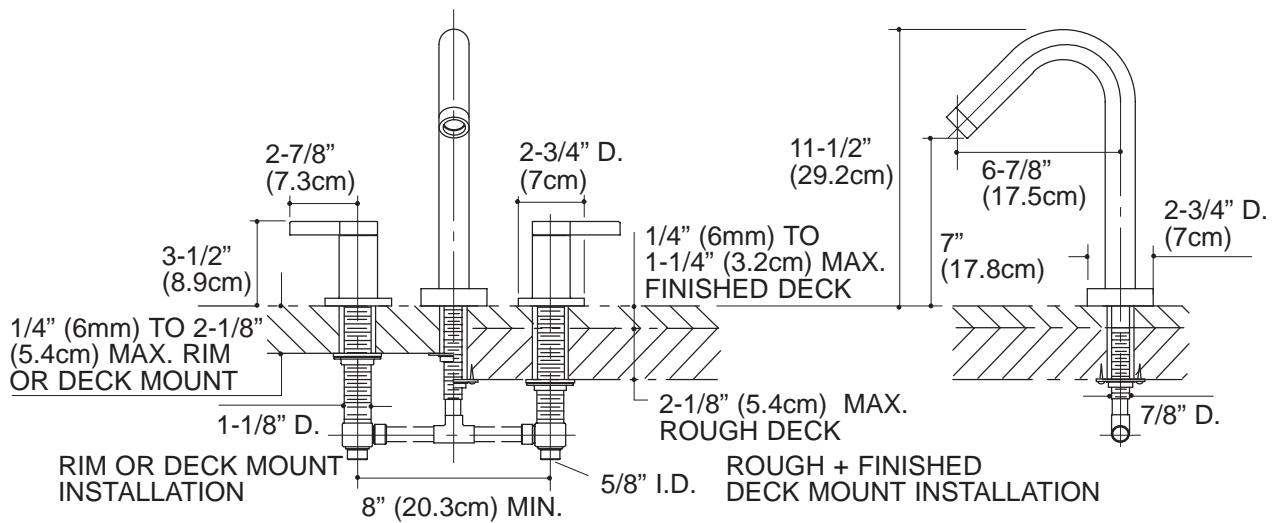
- CP Polished Chrome
- PB Polished Brass
- Other Refer to Faucets Price Book for additional finishes

**SPECIFIED MODEL:** For complete faucet, both faucet trim and valve system must be specified.

Model	Description			
K-T954-4	Stillness™ Deck/Rim-Mount Bath Filler Trim	<input type="checkbox"/> CP	<input type="checkbox"/> PB	<input type="checkbox"/> Other_____
<b>Required Accessory</b>				
K-300-K	1/2" High-Flow Ceramic Disc Valve System	<input type="checkbox"/> NA		
K-301-K	3/4" High-Flow Ceramic Disc Valve System			<input type="checkbox"/> NA

**PRODUCT SPECIFICATION:**

Two-handle deck/rim-mount high-flow bath faucet trim shall be of brass construction. Product shall include 6-7/8" (17.5cm) high-arch non-diverter spout with slip-fit connection, and lever handles. Filler trim shall be Kohler Model K-T954-4-\_\_\_\_\_ - \_\_\_\_\_. Valve system shall be Kohler Model K-300-K-NA OR K-301-K-NA.



## PRODUCT DIAGRAM