

**SINK STRAINER  
K-8802-RL**

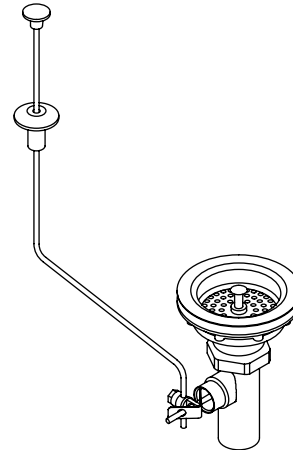
**Features**

- Brass construction
- 1-1/2" connection
- Intended for sink installations with 3-1/2" or 4" outlet
- Basket strainer with open/close stopper
- Brass tailpiece with connection to lift rod components

**Codes/Standards Applicable**

Specified model meets or exceeds the following:

- ASME A112.18.2/CSA B125.2
- IAPMO/cUPC



**Colors/Finishes**

- CP: Polished Chrome

**Specified Model**

Model	Description	Colors/Finishes
K-8802-RL	Sink strainer	<input type="checkbox"/> CP

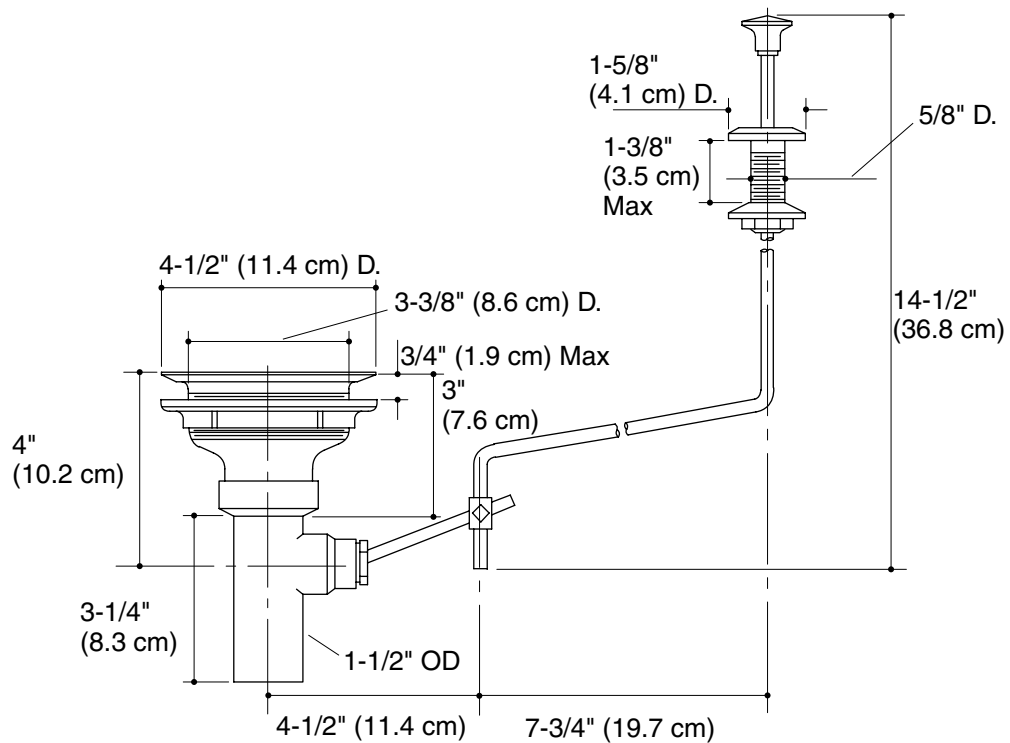
**Product Specification**

Sink strainer shall be of brass construction. Product is intended for sink installations with 3-1/2" or 4" outlet. Product shall include a basket strainer with an open/close stopper, brass tailpiece with connection to the lift rod components, and 1-1/2" connection. Strainer shall be Kohler Model K-8802-RL-CP.

# DUOSTRAINER®

## Installation Notes

Install this product according to the installation guide.



## Product Diagram