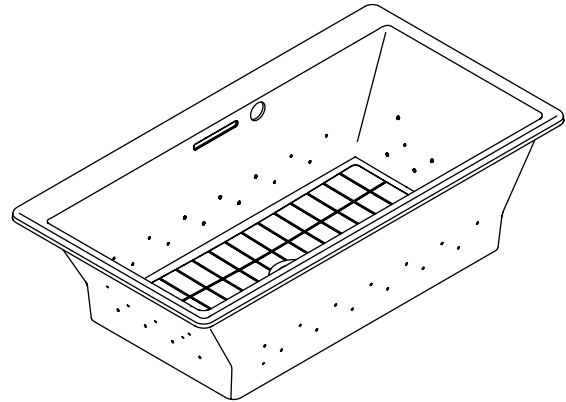


### Features

- Cast iron with Safeguard® finish
- Blower motor with 300 W heater and electronic back-lit user control
- 44 BubbleMassage™ airjets
- 18 levels of airflow adjustability
- With Zones of Control™, surge, and automatic purge features
- 66-15/16" (170 cm) x 36" (91.4 cm) x 19-1/16" (48.4 cm)

### BUBBLEMASSAGE™ BATH K-899-G



### Codes/Standards Applicable

Specified model meets or exceeds the following:

- ASME A112.19.1/CSA B45.2
- ASME A112.19.7M
- CSA C22.2 No 218.2
- UL 1795

### Colors/Finishes

- 0: White
- CP: Polished Chrome
- Other: Refer to Price Book for additional colors/finishes

### Specified Model

Model	Description	Colors/Finishes	
K-899-G0	BubbleMassage bath – airjet trim/White	<input type="checkbox"/> 0	<input type="checkbox"/> Other_____
K-899-G47	BubbleMassage bath – airjet trim/Almond	<input type="checkbox"/> 0	<input type="checkbox"/> Other_____
K-899-G96	BubbleMassage bath – airjet trim/Biscuit	<input type="checkbox"/> 0	<input type="checkbox"/> Other_____
K-899-GCP	BubbleMassage bath – airjet trim/Polished Chrome	<input type="checkbox"/> 0	<input type="checkbox"/> Other_____
K-899-GBN	BubbleMassage bath – airjet trim/Brushed Nickel	<input type="checkbox"/> 0	<input type="checkbox"/> Other_____
K-899-GSN	BubbleMassage bath – airjet trim/Vibrant Polished Nickel	<input type="checkbox"/> 0	<input type="checkbox"/> Other_____

#### Required Accessories

K-7271	Clearflo slotted overflow brass bath drain	<input type="checkbox"/> CP	<input type="checkbox"/> Other_____
K-7272	Clearflo slotted overflow bath drain – PVC pipe	<input type="checkbox"/> CP	<input type="checkbox"/> Other_____

#### Optional Accessories

K-137	Undermount kit	<input type="checkbox"/> NA	
K-1705	Remote control	<input type="checkbox"/> NA	
K-9498	3" (7.6 cm) whirlpool keypad trim	<input type="checkbox"/> CP	<input type="checkbox"/> Other_____

### Product Specification

The BubbleMassage bath shall be made of cast iron with Safeguard finish. Bath shall be 66-15/16" (170 cm) in length, 36" (91.4 cm) in width, and 19-1/16" (48.4 cm) in height. Bath shall have 44 BubbleMassage™ airjets with chromatherapy. Bath shall have a blower motor with 300 W heater and electronic back-lit user control. Bath shall have 18 levels of airflow adjustability. Bath shall be with Zones of Control™, surge, and automatic purge features. Bath shall be Kohler Model K-899-G\_\_\_\_-\_\_\_\_.

## Technical Information

Fixture*:				
Bathing well:				
Basin area, bottom	62-1/2" (158.8 cm) x 29-1/4" (74.3 cm)			
Basin area, top	49" (124.5 cm) x 26-1/2" (67.3 cm)			
Weight	435 lbs (197.3 kg)			
To overflow:				
Water depth	19" (48.3 cm)			
Capacity	90 gal (340.6 L)			
* Approximate measurements for comparison only.				
Drop-in cut-out				
66-1/2" (168.9 cm) x 35-1/2" (90.2 cm)				
Blower motor:	kW	V	Hz	A
	300	220-240	50/60	3

## Required Electrical Service

Dedicated circuit required, protected with Class A Ground-Fault Circuit-Interrupter (GFCI):

Blower motor/control	220-240 V, 15 A, 50/60 Hz
----------------------	---------------------------

## Installation Notes

Install this product according to the installation guide.

**NOTICE: If the blower motor and check valve are relocated, two access panels are required.** Locate one access panel at the blower motor/control location and the other at the control box. Locate the blower motor and check valve together.

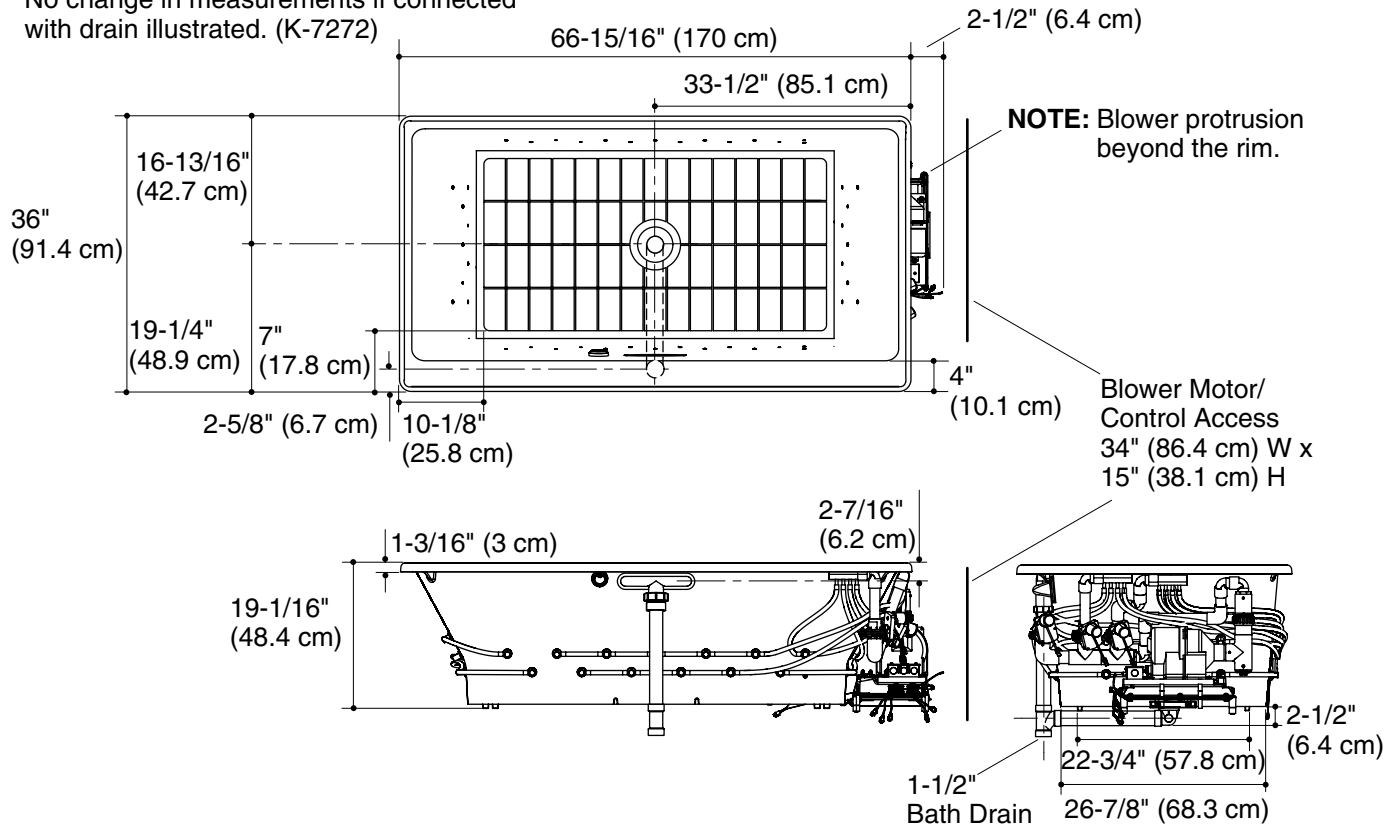
Floor support under bath must provide for a minimum of 78 lbs/square foot (386 kg/square meter) loading.

Splitting the deck/surround is recommended if installing into a deck.

Hot water supply should be 70% of capacity or greater. Installations will vary.

Fixture conforms to ASME Standard A112.19.1/CSA B45.2. All dimensions are nominal.

No change in measurements if connected with drain illustrated. (K-7272)



## Product Diagram