

**Features**

- Brass construction
- MasterClean™ spray nozzles prohibit mineral build-up
- Complements Stance™ Suite
- Push button diverter on bath and shower trim models [K-T14776, K-T14777]
- Requires a Rite-Temp® valve

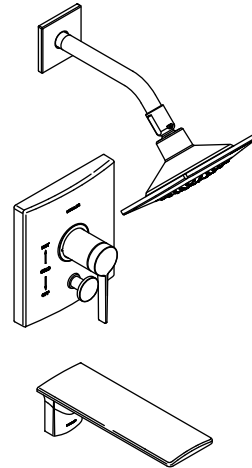
**Codes/Standards Applicable**

Specified model meets or exceeds the following:

- ASME A112.18.1/CSA B125.1
- ASSE 1016

**BATH & SHOWER TRIM SET  
K-T14776**

**ALSO K-T14777, K-T14778, K-14795**



**Colors/Finishes**

- CP: Polished Chrome
- Other: Refer to Price Book for additional colors/finishes

**Accessories**

- NA: None applicable

**Specified Model**

Model	Description	Colors/Finishes	
K-T14776-4	Bath and shower valve trim (shown)	<input type="checkbox"/> CP	<input type="checkbox"/> Other ____
K-T14777-4	Shower trim only – with diverter button	<input type="checkbox"/> CP	<input type="checkbox"/> Other ____
K-T14778-4	Shower trim only – without diverter button	<input type="checkbox"/> CP	<input type="checkbox"/> Other ____
K-T14779-4	Mixing valve trim– with diverter button	<input type="checkbox"/> CP	<input type="checkbox"/> Other ____
K-T14780-4	Mixing valve trim– without diverter button	<input type="checkbox"/> CP	<input type="checkbox"/> Other ____
K-14795	Bath spout	<input type="checkbox"/> CP	<input type="checkbox"/> Other ____

Required Accessories		
K-304-**	Rite-Temp pressure-balancing valve <b>OR</b>	<input type="checkbox"/> NA
K-305-*/K-305-**	Rite-Temp pressure-balancing valve with push-button diverter <b>OR</b>	<input type="checkbox"/> NA

**Product Specification**

Bath & shower trim set shall be made of brass construction. Product shall have a push button diverter on bath and shower trim models [K-T14776, K-T14777]. Showerhead shall feature a MasterClean spray nozzle that prohibits mineral buildup. Product shall require a Rite-Temp valve. Product shall complement the Stance Suite. Bath & shower trim set shall be Kohler Model K-T\_\_\_\_-\_\_\_\_-\_\_\_\_ or K-\_\_\_\_-\_\_\_\_ and Rite-Temp valving shall be K-\_\_\_\_-\_\_\_\_-NA.

# STANCE™

## Required Accessories continued

K-2971-KS**	HiFlow Rite-Temp valve with stops <b>OR</b>	<input type="checkbox"/> NA
K-11748-**	Rite-Temp valve with push-button diverter	<input type="checkbox"/> NA

\* Requires 1016453-C/F diverter button kit.

\*\* For a complete listing of all the Rite-Temp valves, refer to the individual valve Specification Sheet or Roughing-In Sheet.

## Optional Accessories

88526	Thin wall installation kit for K-2971-KS HiFlow Rite-Temp valve	<input type="checkbox"/> CP	<input type="checkbox"/> Other ____
1016453	Diverter button kit for K-305-K or K-305-KS Rite-Temp valve	<input type="checkbox"/> CP	<input type="checkbox"/> Other ____
1111613	Deep rough-in kit for Rite-Temp valve	<input type="checkbox"/> CP	<input type="checkbox"/> Other ____

## Installation Notes

Install this product according to the installation guide.

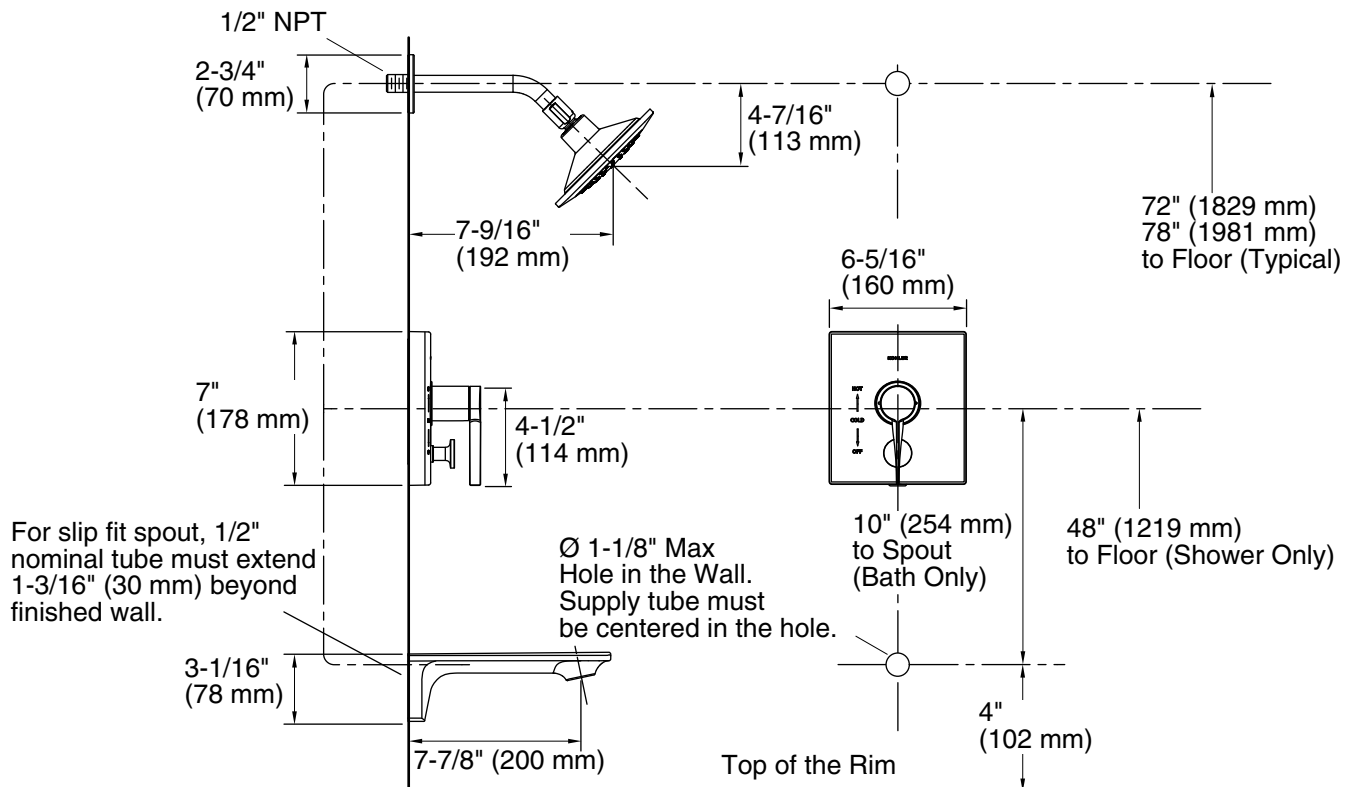
**NOTICE: For K-305 valve:** The diverter button kit (1016453-C/F) is required.

**NOTICE: Risk of product damage.** Long screws, for installing trim, can damage the K-2971-KS valve. Consult the trim installation guide to verify if the thin wall installation kit (88526) is needed.

Avoid cross-flow conditions. Do not install a shut-off device on either valve outlet.

Cap the shower outlet if the deck-mounted spout, diverter, or handshower is connected to the spout outlet.

Install straight pipe or tube drop of 7" (178 mm) to 18" (457 mm) with single elbow between the valve and the wall-mount spout.



## Product Diagram