

Features

- Brass construction
- Floor-mount installation
- 14" (35.6 cm) spout reach
- Available in a 35" (88.9 cm), 36" (91.4 cm), or 37" (94 cm) spout height
- Non-laminar flow
- Slip-fit connection
- ADA compliant when ADA compliant handles are installed
- Includes aerator, hardware kit, and escutcheon
- Complements sōk® overflowing bath and Fountainhead™ baths
- Complements a variety of bath valve trim (refer to Kohler Price Book)

Codes/Standards Applicable

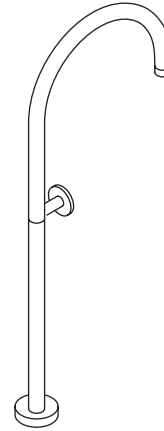
Specified model meets or exceeds the following:

- ASME A112.18.1/CSA B125.1
- ADA
- IAPMO/cUPC

FLOOR-MOUNT BATH FILLER K-8359

ALSO K-8361, K-8362

ADA

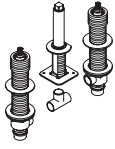
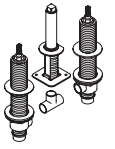



Colors/Finishes

- CP: Polished Chrome
- PB: Vibrant® Polished Brass
- Other: Refer to Price Book for additional colors/finishes
- NA: None applicable

Specified Model

| Model | Description | Colors/Finishes | | |
|--------|--|-----------------------------|-----------------------------|-------------------------------------|
| K-8359 | Floor-mount bath filler – 36" (91.4 cm) spout height | <input type="checkbox"/> CP | <input type="checkbox"/> PB | <input type="checkbox"/> Other ____ |
| K-8361 | Floor-mount bath filler – 35" (88.9 cm) spout height | <input type="checkbox"/> CP | <input type="checkbox"/> PB | <input type="checkbox"/> Other ____ |
| K-8362 | Floor-mount bath filler – 37" (94 cm) spout height | <input type="checkbox"/> CP | <input type="checkbox"/> PB | <input type="checkbox"/> Other ____ |

| Required Valve | |  |  |  |
|----------------|--|--|---|---|
| K-300-K | 1/2" high-flow ceramic disc valve system | <input type="checkbox"/> NA | | |
| K-301-K | 3/4" high-flow ceramic disc valve system | | <input type="checkbox"/> NA | |
| K-411-K | Bath filler spout shank | | | <input type="checkbox"/> NA |

Product Specification

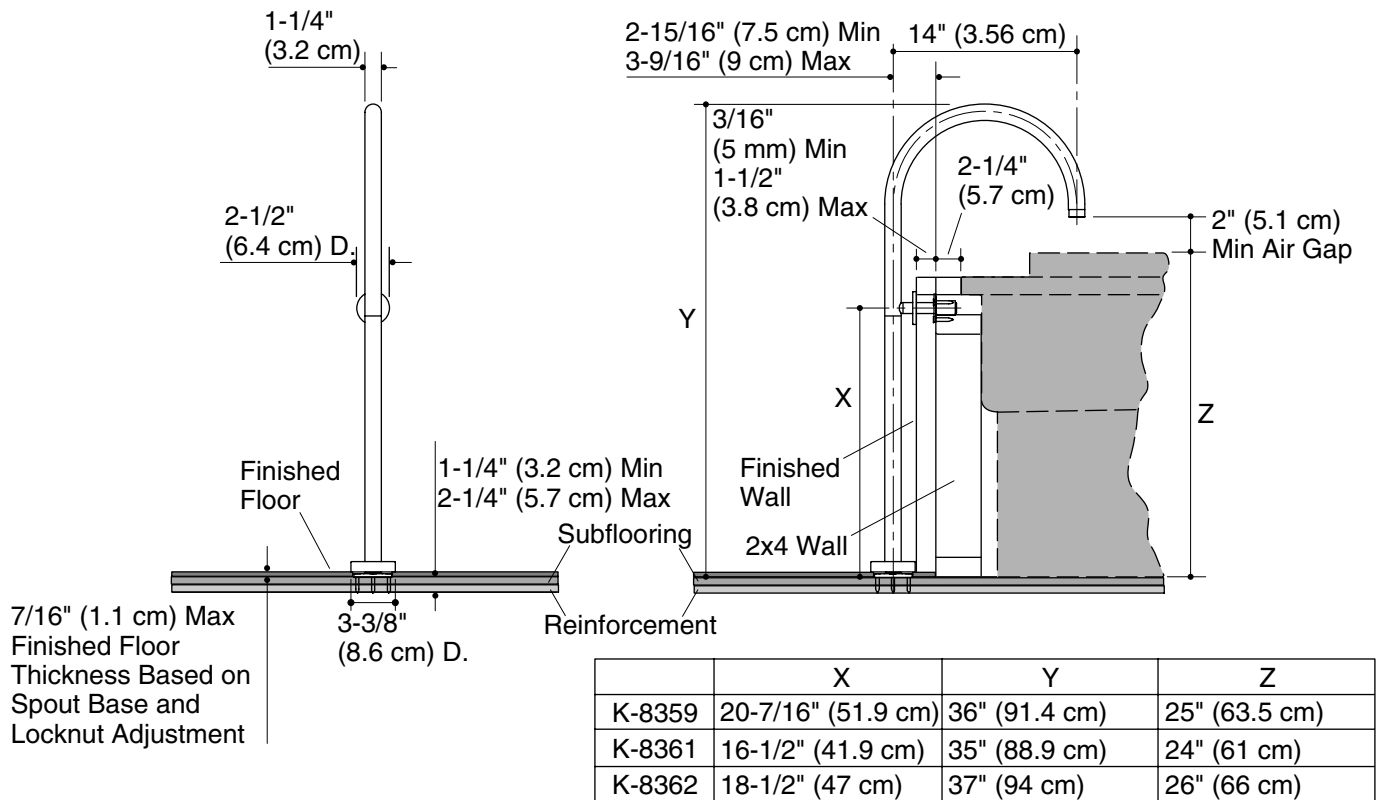
The floor-mount bath filler shall be of brass construction. Bath filler shall feature a 14" (35.6 cm) spout reach and slip-fit connection. Product shall be available in a 35" (88.9 cm), 36" (91.4 cm), or 37" (94 cm) spout height. Product shall include an aerator, hardware kit, and escutcheon. Product shall be ADA compliant when ADA compliant handles are installed. Product shall be non-laminar flow. Product shall complement the sōk overflowing bath and Fountainhead baths and complement a variety of bath valve trim (refer to Kohler Price Book). Bath filler shall be Kohler Model K-____-____ with required valve K-____-K-NA.

Installation Notes



WARNING: Risk of personal injury. Do not use the bath filler as a grab bar or support bar when entering or exiting the bath. The bath filler is not designed to support weight.

Install this product according to the installation guide.



Product Diagram