



**Features**

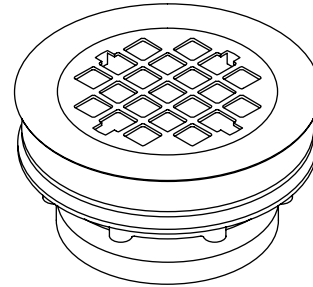
- Brass construction
- Intended for installations with 2" (5.1 cm) caulk connection
- Perforated strainer
- Includes connection gasket

**SHOWER DRAIN  
K-9132**

**Codes/Standards Applicable**

Specified model meets or exceeds the following:

- ASME A112.18.2/CSA B125.2
- IAPMO/cUPC



**Colors/Finishes**

- CP: Polished Chrome
- PB: Vibrant® Polished Brass
- Other: Refer to Price Book for additional colors/finishes

**Specified Model**

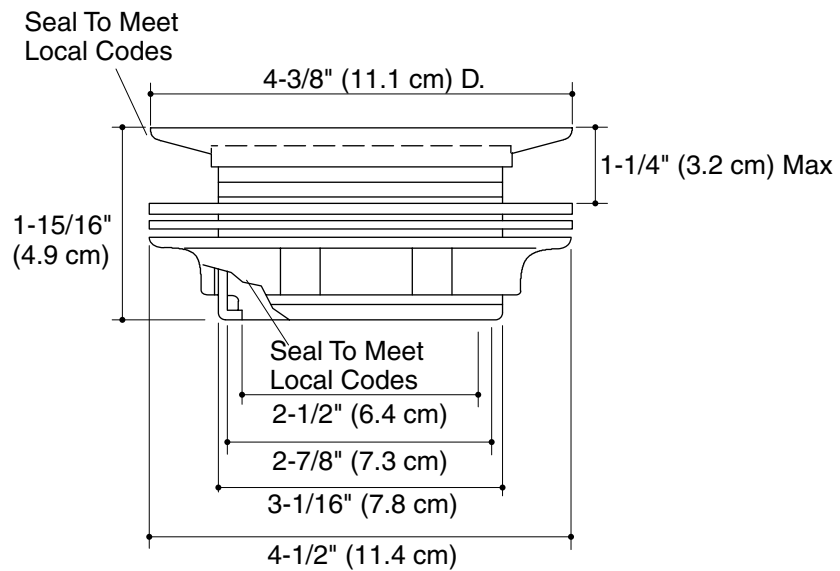
Model	Description	Colors/Finishes		
K-9132	Shower drain	<input type="checkbox"/> CP	<input type="checkbox"/> PB	<input type="checkbox"/> Other_____

**Product Specification**

Shower drain shall be of brass construction. Product is intended for installations with 2" (5.1 cm) caulk connection. Drain shall be less stopper, body, and tailpiece. Product shall include housing, connection gasket, and perforated strainer. Drain shall be Kohler Model K-9132-\_\_\_\_\_.

## Installation Notes

Install this product according to the installation guide.



**K-9132**

## Product Diagram