

TOOLS REQUIRED:

- Pliers

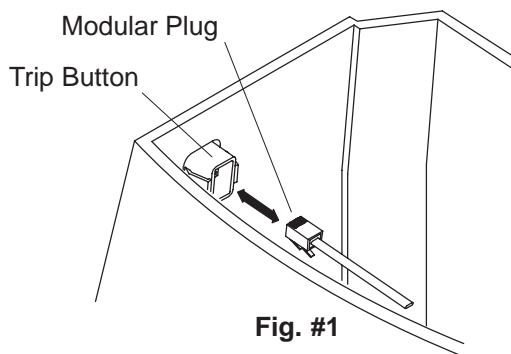
INSTALLATION:

1. TRIP BUTTON PLUG REMOVAL

Remove tank lid from tank.

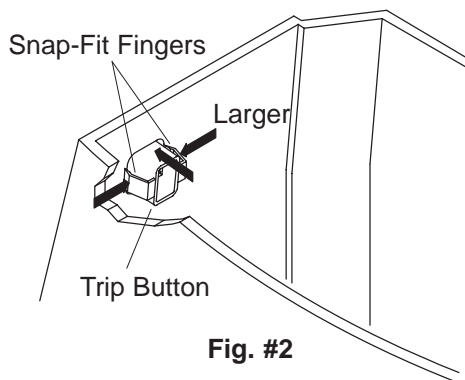
Note outward orientation of trip button to duplicate during installation.

Press the tab on the modular plug and unplug cord from the back of the trip button.



2. TRIP BUTTON REMOVAL

Squeeze snap-fit fingers on trip button. While squeezing, push the trip button from inside the tank outward until trip button is free. Use pliers to squeeze snap-fit fingers if necessary.



3. INSTALL NEW TRIP BUTTON

See Fig. #2. Install new trip button through tank hole, positioning larger snap-fit finger to the back of the tank. Push trip button into tank until snap-fit fingers clear tank.

See Fig. #1. Reinsert modular plug into trip button.

4. TEST NEW TRIP BUTTON

Test new trip button function by pressing long and short flush buttons, one at a time.